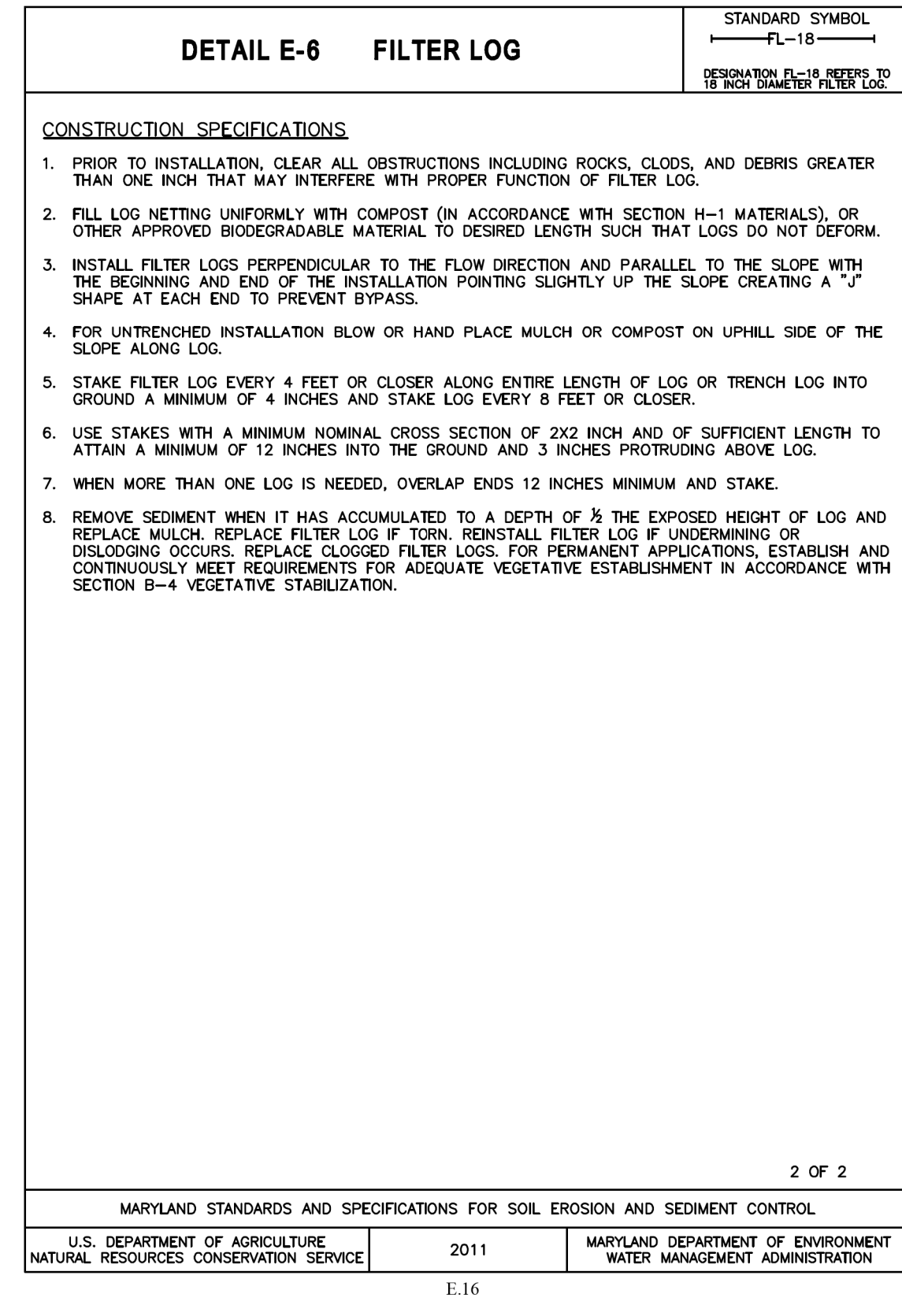
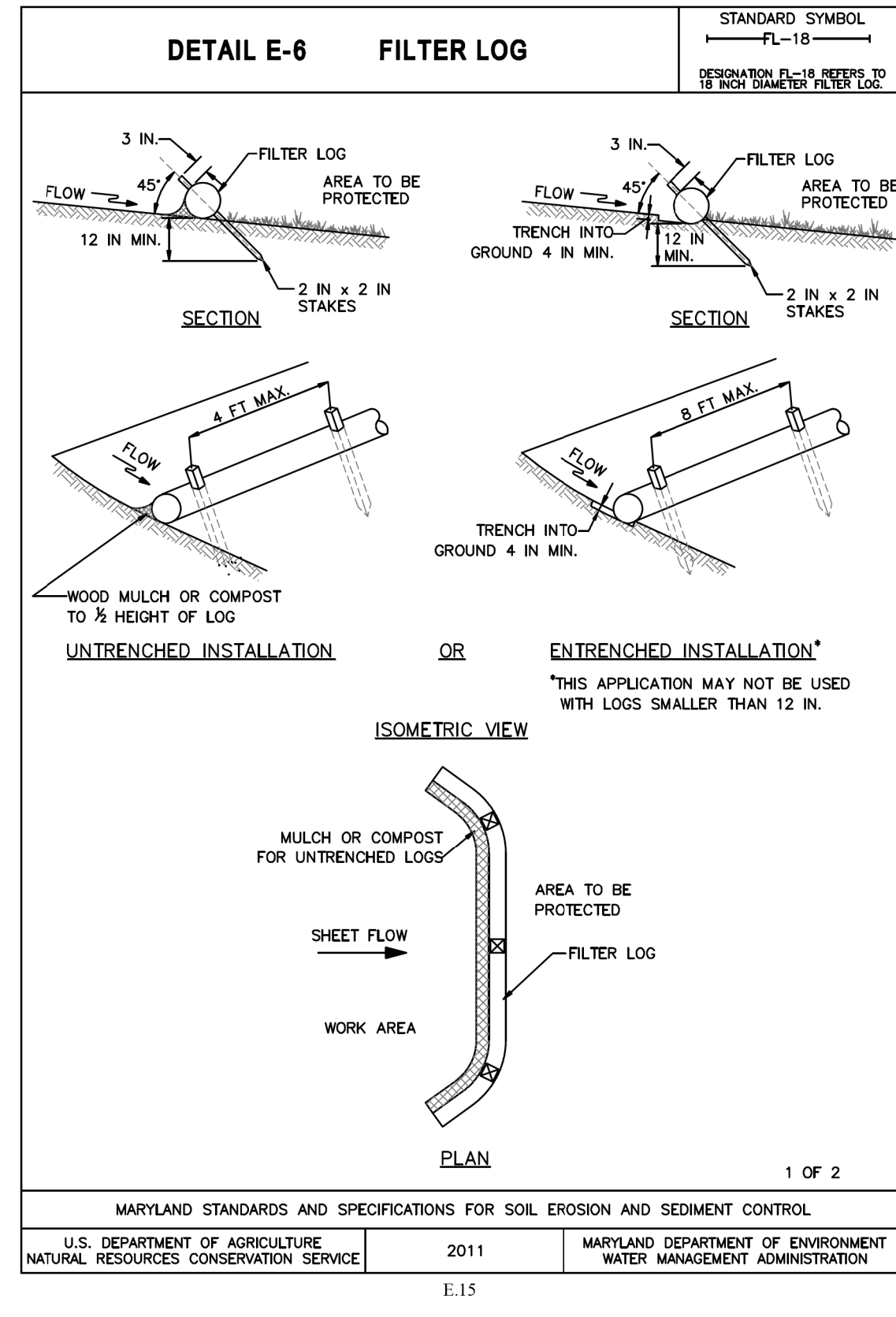
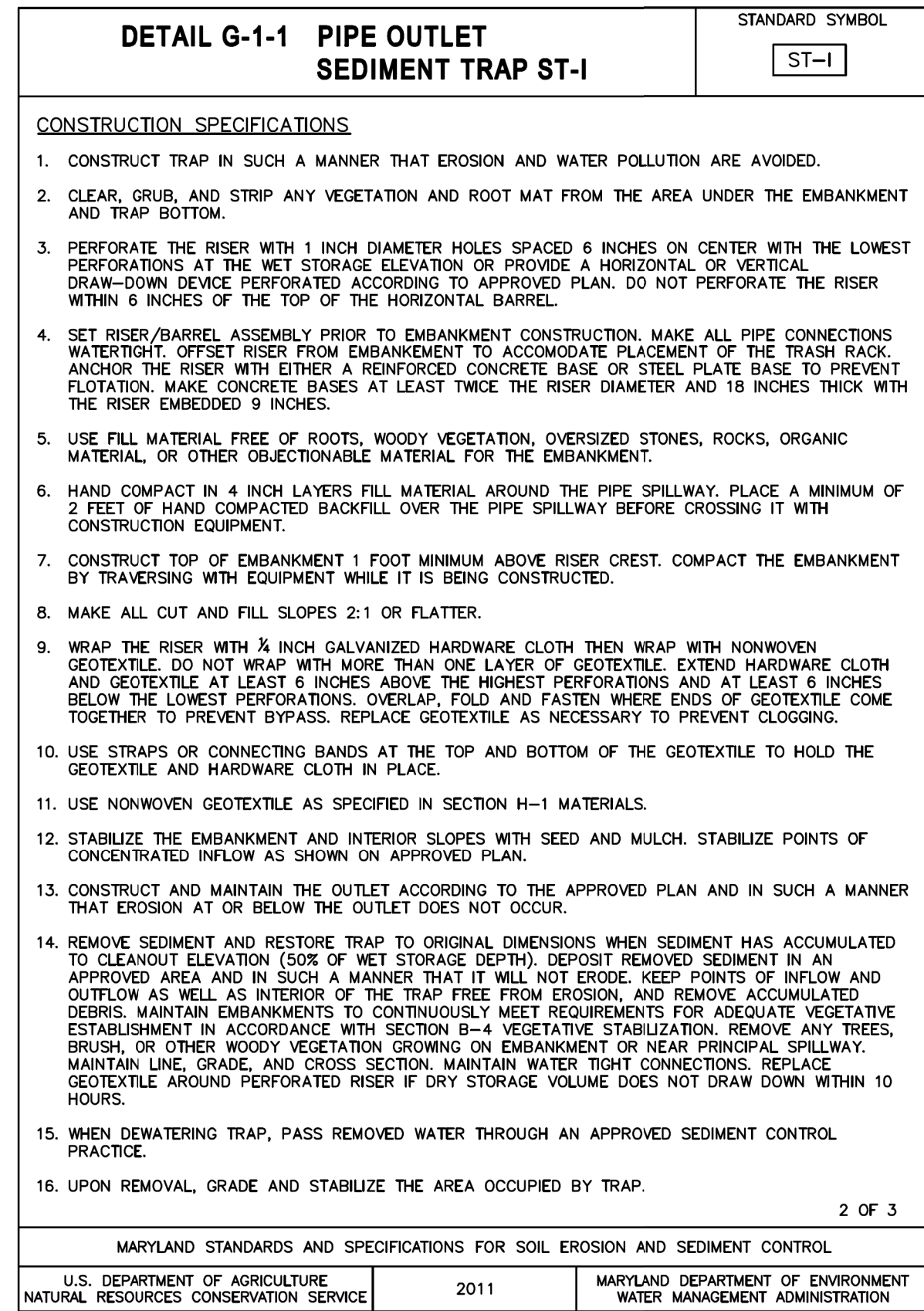
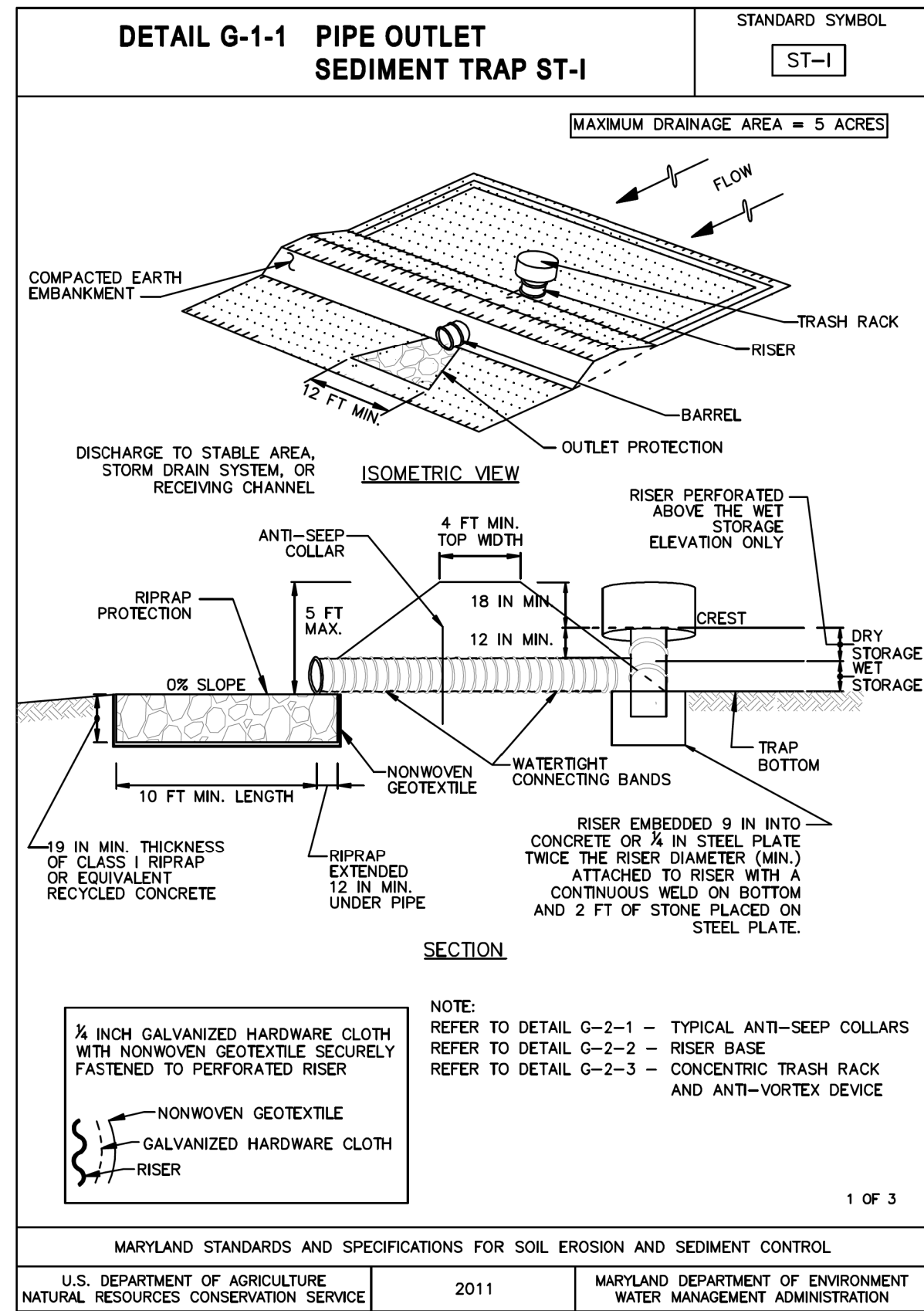


REFERENCE: SOLTESZ, INC. (SOLTESZ) MAKES NO WARRANTIES, EXPRESS OR IMPLIED, CONCERNING THE ACCURACY OF ANY INFORMATION THAT HAS BEEN TRANSMITTED BY ELECTRONIC MEANS. SOLTESZ, INC. (SOLTESZ) CANNOT GUARANTEE THAT UNAUTHORIZED CHANGES AND/OR ALTERATIONS WERE NOT MADE BY OTHERS. IF VERIFICATION OF THIS INFORMATION CONTAINED HEREIN IS NEEDED, CONTACT SHOULD BE MADE DIRECTLY WITH SOLTESZ. SOLTESZ MAKES NO WARRANTIES, EXPRESS OR IMPLIED, CONCERNING THE ACCURACY OF ANY INFORMATION THAT HAS BEEN TRANSMITTED BY ELECTRONIC MEANS.



SOLTESZ, INC.
 Engineering, Surveying, Planning, Environmental Sciences
 Rockville Office
 2 Research Place, Suite 100
 Rockville, MD 20850
 P. 301.948.2750 F. 301.948.9067
 www.soltesz.com

NO.	DATE	REVISIONS	BY	DATE			
DESIGNED:	A.G.	CAO STANDARDS VERSION:	18 - NCS	TECHNICIAN:	A.G.	CHECKED:	J.S.

MISS UTILITY NOTE
 INFORMATION CONCERNING EXISTING UNDERGROUND UTILITIES WAS OBTAINED FROM AVAILABLE RECORDS. THE CONTRACTOR MUST DETERMINE THE EXACT LOCATION AND ELEVATION OF ALL EXISTING UTILITIES AND UTILITIES OR SERVICES BY ENGINEERING TESTS BY HAND, WELL IN ADVANCE OF THE START OF EXCAVATION. CONTACT "MISS UTILITY" AT 1-800-261-7777, 48 HOURS PRIOR TO THE START OF EXCAVATION. IF CLEARANCES ARE LESS THAN SHOWN ON THIS PLAN OR TWELVE (12) INCHES, WHICHEVER IS LESS, CONTACT THE ENGINEER AND THE UTILITY COMPANY BEFORE PROCEEDING WITH CONSTRUCTION. CLEARANCES LESS THAN NOTED MAY REQUIRE REVISIONS TO THIS PLAN.

OWNER/DEVELOPER/APPLICANT
 WILGUS-MONTROSE ASSOCIATES, LLC
 7811 MONTROSE ROAD
 SUITE 200
 POTOMAC, MD 20854
 PHONE: (301) 399-1500
 RCCHEN@WILCO.COM
 RICHARD COHEN

MAP	ADC	GRID	5285
TAX MAP	GC02	ZONING CATEGORY:	CR20, CD10, RD10, HO30, CR20, CD10, RD10, HO30, CR20, CD10, RD10, HO30
WESC 200 SHEET	215 NW 06	SITE DATUM:	HORIZONTAL: NAD83 VERTICAL: NAD83

PROFESSIONAL CERTIFICATION
 I HEREBY CERTIFY THAT THESE DOCUMENTS WERE PREPARED OR APPROVED BY ME, AND THAT I AM A DULY LICENSED PROFESSIONAL ENGINEER UNDER THE LAWS OF THE STATE OF MARYLAND.
 LICENSE NO. 30287 EXPIRATION DATE: 05/18/2022

SEDIMENT CONTROL DETAILS

SEDIMENT CONTROL CONCEPT
NORTHPARK AT MONTROSE (WILGUS TRACT)
 SITE PLAN 820210080
 6060 MONTROSE ROAD
 ROCKVILLE (4TH) ELECTION DISTRICT, MONTGOMERY COUNTY, MARYLAND

PROJECT NO. 1326-02-01

SHEET	6
OF	6
PROJECT NO.	1326-02-01