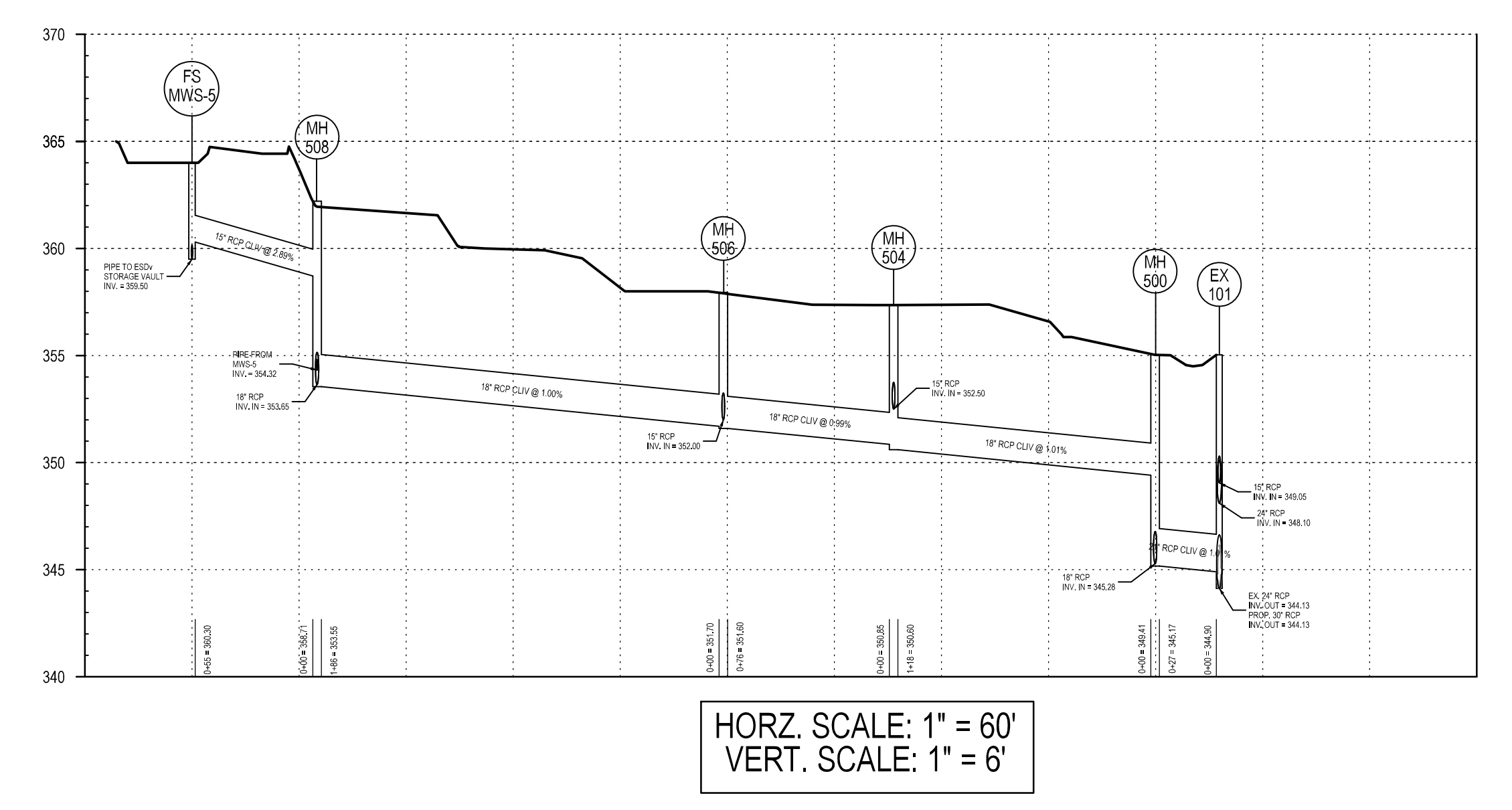
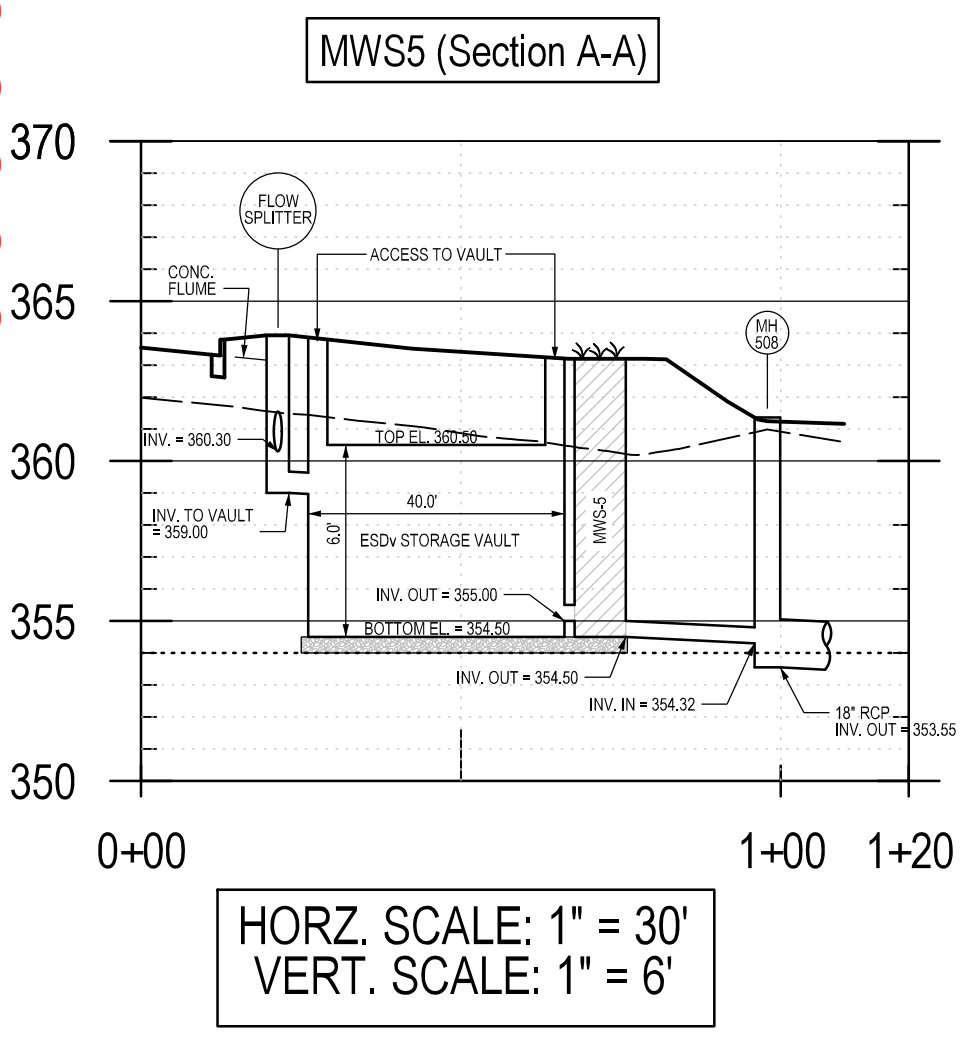
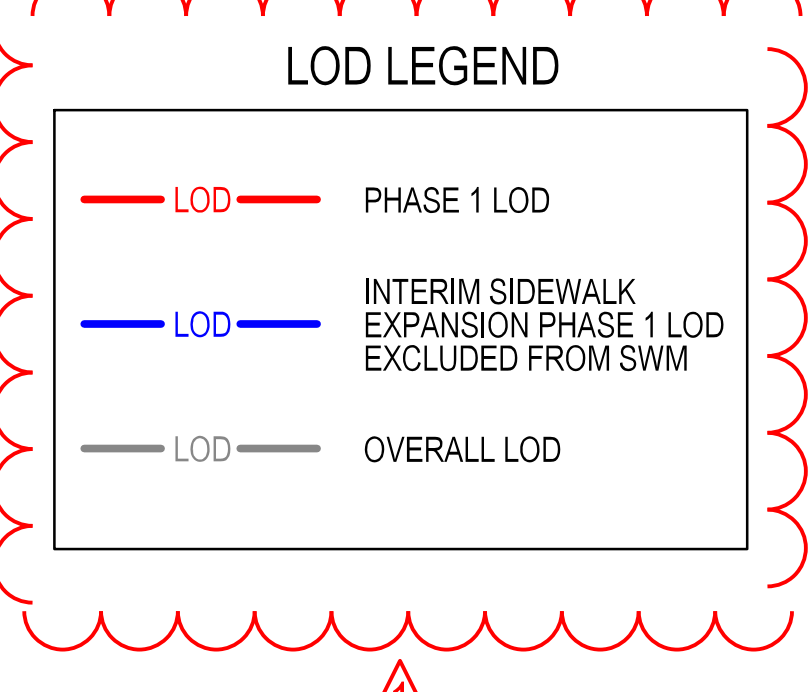
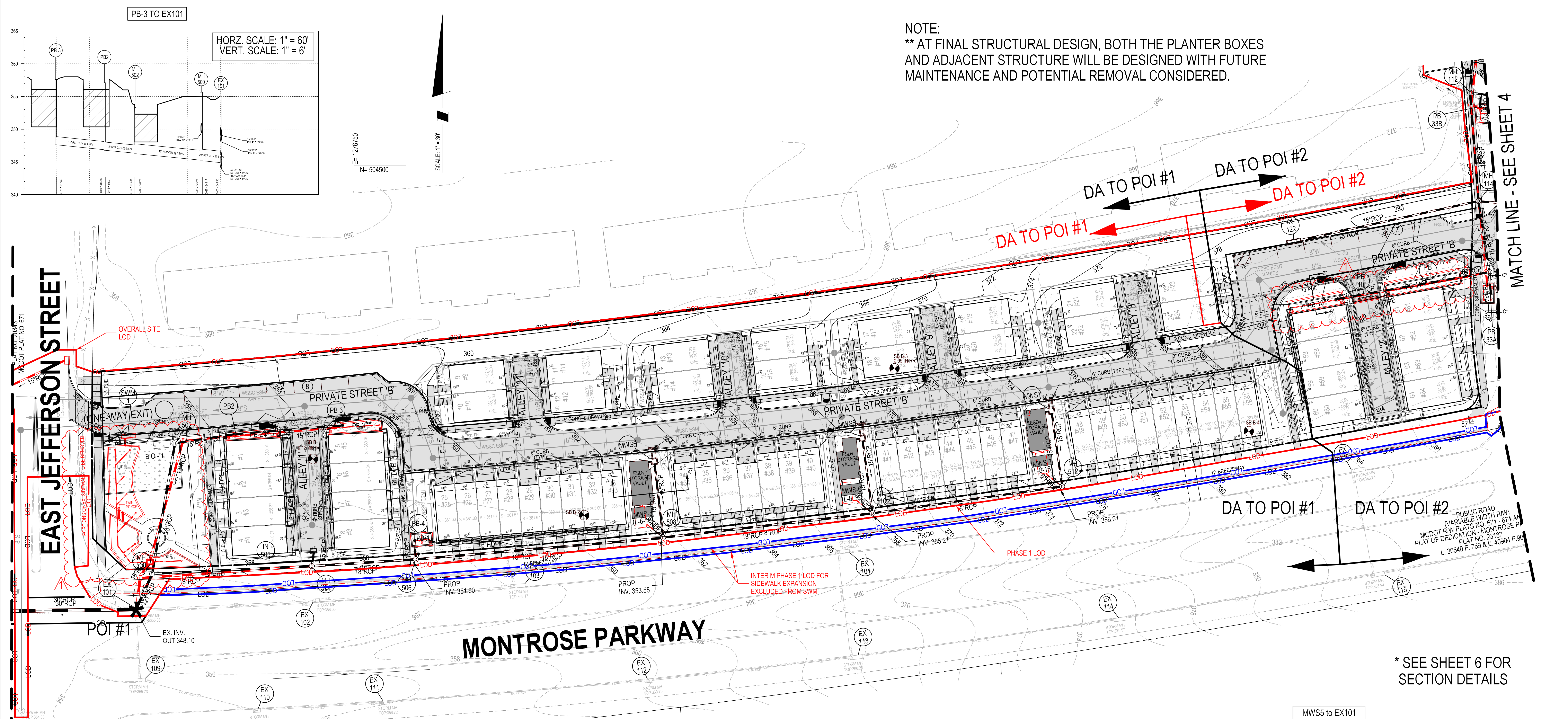


NOTE:
 ** AT FINAL STRUCTURAL DESIGN, BOTH THE PLANTER BOXES AND ADJACENT STRUCTURE WILL BE DESIGNED WITH FUTURE MAINTENANCE AND POTENTIAL REMOVAL CONSIDERED.



HORZ. SCALE: 1" = 60'
 VERT. SCALE: 1" = 6'

MATCH LINE - SEE THIS SHEET

MATCH LINE - SEE THIS SHEET

MATCH LINE - SEE SHEET 4

* SEE SHEET 6 FOR SECTION DETAILS

SOLTESZ, INC.
 Rockville Office
 2 Research Place, Suite 100
 Rockville, MD 20850
 P. 301.948.2750 F. 301.948.9067

NO. 1	REVISIONS FOR SWM SITE DEVELOPMENT CONCEPT PHASE 1	AG	11/20/2020
DATE:	OCTOBER 2020	CAO STANDARDS VERSION:	V8 - NCS
DESIGNED:	A.G.	TECHNICIAN:	A.G.
CHECKED:	J.S.		

MISS UTILITY NOTE
 INFORMATION CONCERNING EXISTING UNDERGROUND UTILITIES WAS OBTAINED FROM AVAILABLE RECORDS. THE CONTRACTOR MUST DETERMINE THE EXACT LOCATION AND ELEVATION OF ALL EXISTING UTILITIES AND UTILITIES ORIGINALLY TEST FITS BY HAND, WELL IN ADVANCE OF THE START OF EXCAVATION. CONTACT "MISS UTILITY" AT 1-800-261-7777 48 HOURS PRIOR TO THE START OF EXCAVATION. IF CLEARANCES ARE LESS THAN SHOWN ON THIS PLAN OR TWELVE (12) INCHES, WHOEVER IS LESS, CONTACT THE ENGINEER AND THE UTILITY COMPANY BEFORE PROCEEDING WITH CONSTRUCTION. CLEARANCES LESS THAN NOTED MAY REQUIRE REVISIONS TO THIS PLAN.

OWNER/DEVELOPER/APPLICANT
 WILGUS ASSOCIATES, LTD PARTNERSHIP, C/O WILCO
 7811 MONTROSE ROAD
 SUITE 200
 POTOMAC, MD 20854
 PHONE: (240) 396-1421
 BMAZZUCA@WILCO.COM
 ROBERT A. MAZZUCA

MAP	ADC	GRID	5285
TAX MAP	GC02		
WSEC 200 SHEET			
	215 NW 06		
SITE DATUM			
HORIZONTAL:	NAD83		
VERTICAL:	NAD83		

PROFESSIONAL CERTIFICATION
 I HEREBY CERTIFY THAT THESE DOCUMENTS WERE PREPARED OR APPROVED BY ME, AND THAT I AM A DULY LICENSED PROFESSIONAL ENGINEER UNDER THE LAWS OF THE STATE OF MARYLAND.
 LICENSE NO. 30227 EXPIRATION DATE: 05/15/2022

PLAN VIEW - WEST SIDE

SWM SITE DEVELOPMENT CONCEPT (PHASE 1)
NORTH PARK AT MONTROSE (WILGUS TRACT)

RESIDUE PARCEL 5, ROCKVILLE FACILITY, PLAT BOOK 102 PLAT NO. 11588, RESIDUE PARCEL 7A, ROCKVILLE FACILITY, PLAT BOOK 104 PLAT NO. 11948, RESIDUE PARCEL Q, WASHINGTON SCIENCE CENTER, PLAT BOOK 183 PLAT NO. 20343, RESIDUE PARCEL 7B, ROCKVILLE FACILITY, PLAT BOOK 104 PLAT NO. 11948, RESIDUE PARCEL R, WASHINGTON SCIENCE CENTER, PLAT BOOK 183 PLAT NO. 20343, RESIDUE PARCEL S, ROCKVILLE FACILITY, PLAT BOOK 102 PLAT NO. 11588

7811 MONTROSE ROAD
 POTOMAC (1ST) ELECTION DISTRICT, MONTGOMERY COUNTY, MARYLAND

PROJECT NO. 1325-02-01

SHEET 3 OF 8

P:\13250201\Engineer\Sheet_Files\SWMSWM Concept Ph 1\03_SWM_Plan_View_Sht Scale= 30.0000 ft / in. User= jwhms PL1.dwg= PDF_Grey_300.pptg Penlt= TEXT_SUB.dtl 12/21/2020 10:55:34 AM