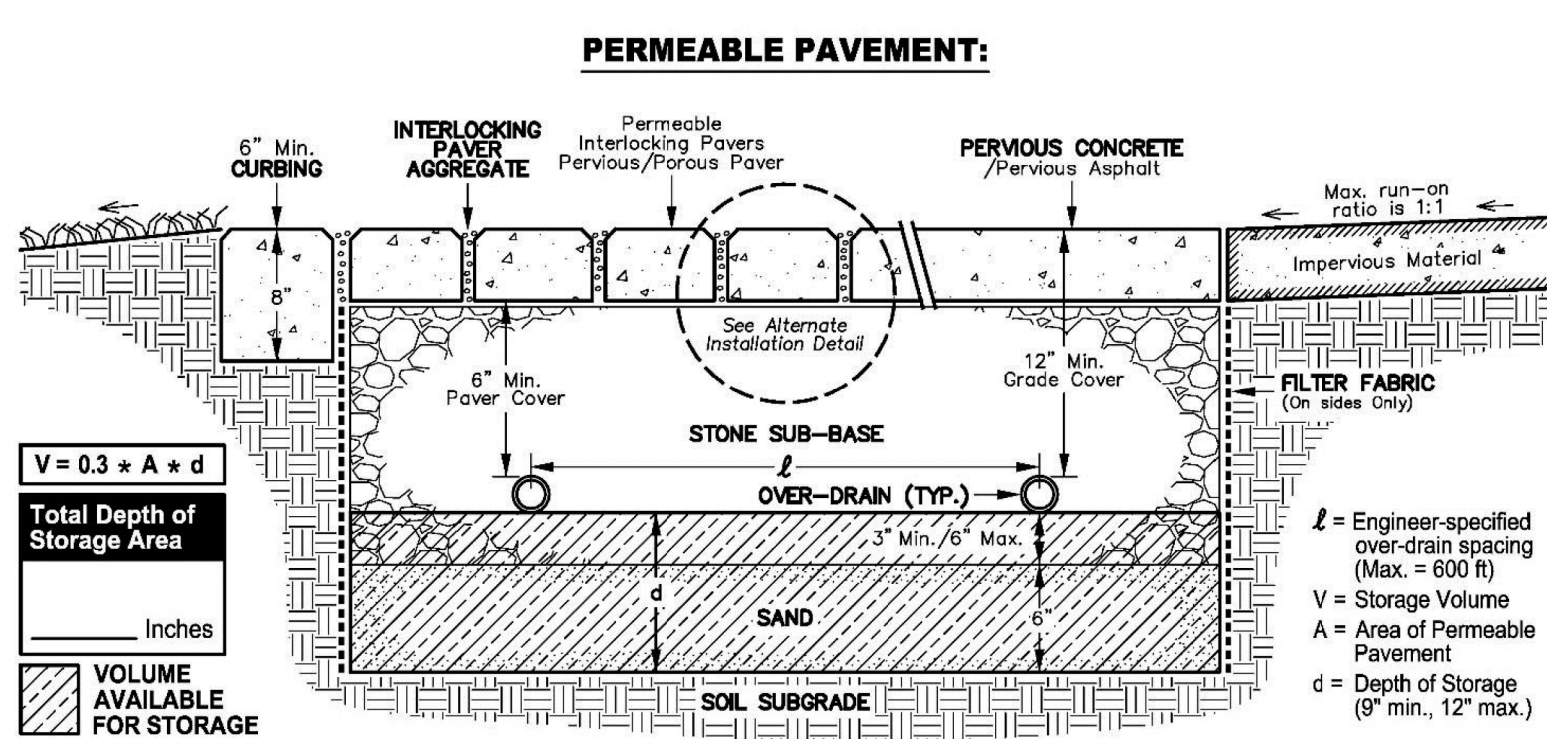


TYPICAL SECTION THROUGH MICRO-BIORETENTION PLANTER BOX FACILITY N.T.S.



PERMEABLE PAVEMENT: GENERAL REQUIREMENTS: Within three (3) days of installation, contractor must perform single ring infiltration tests. Permeable Pavements require MC DOT prior written approval before being designed within public rights of way.

MONTGOMERY COUNTY DEPARTMENT OF PERMITTING SERVICES WATER RESOURCES DIVISION PERMEABLE PAVEMENT DETAIL DATE: MAY 1, 2017 SCALE: NONE

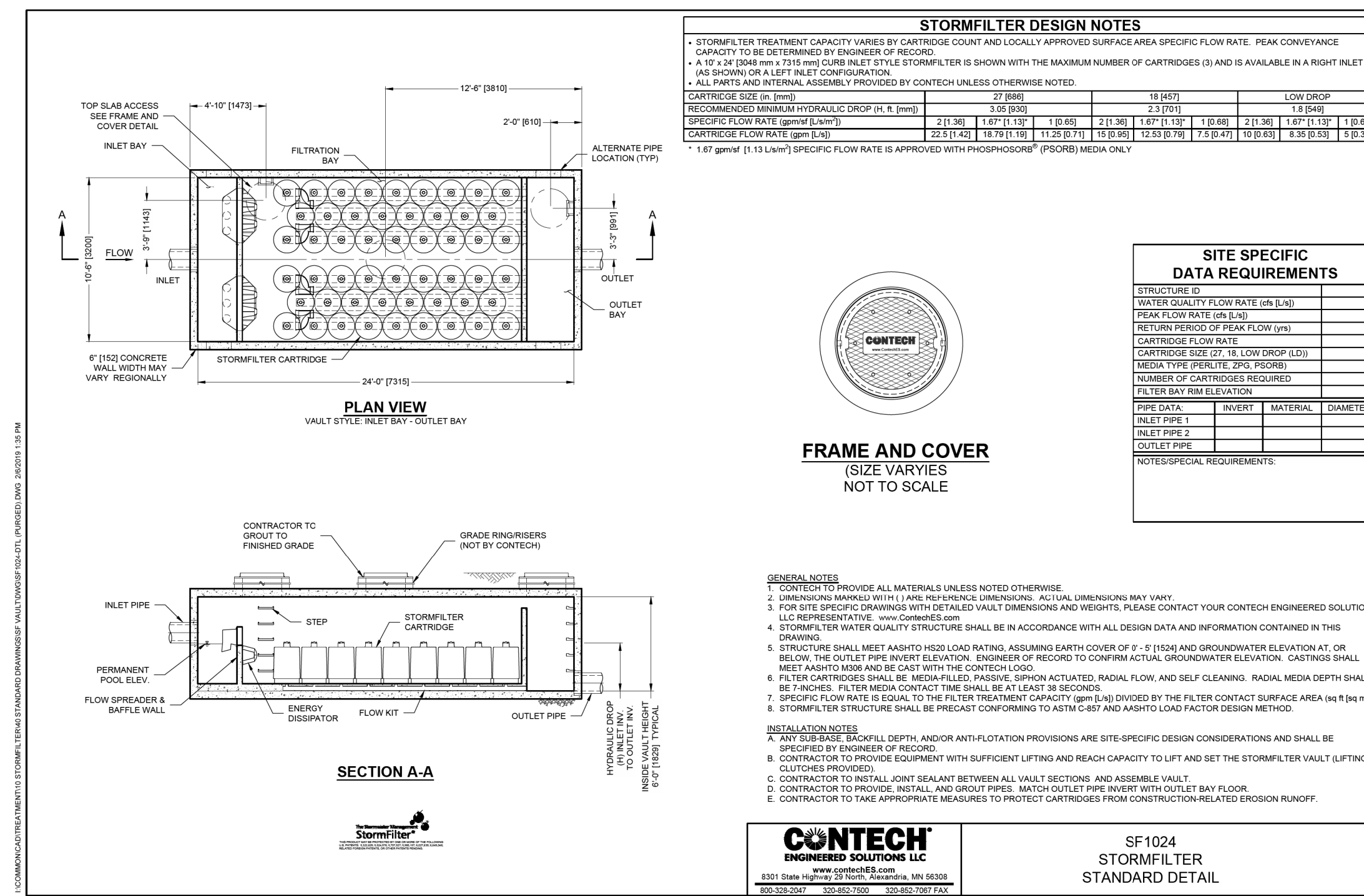


Table with columns: STORMFILTER DESIGN NOTES, SITE SPECIFIC DATA REQUIREMENTS. Includes flow rates and site-specific data fields.

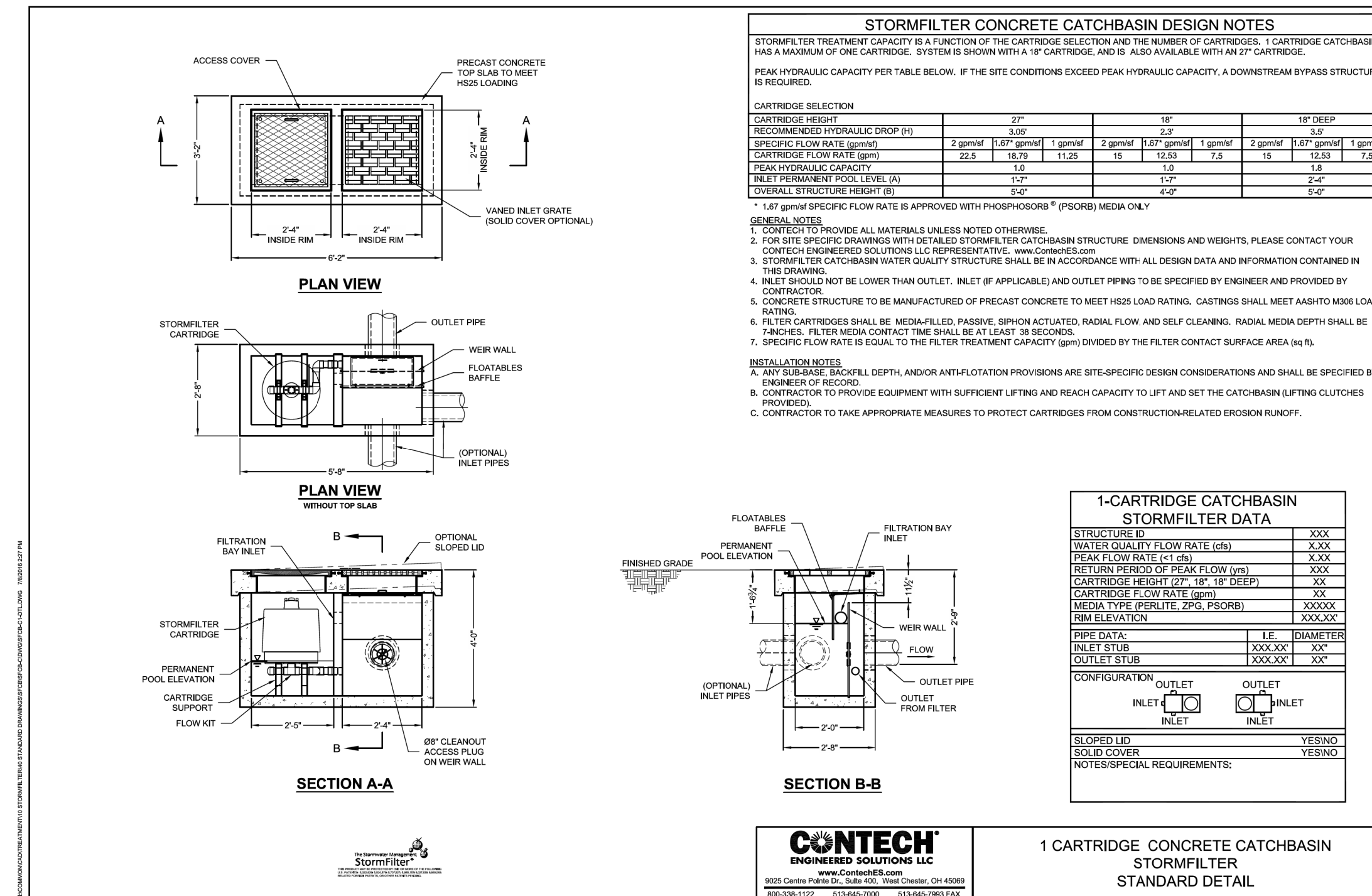
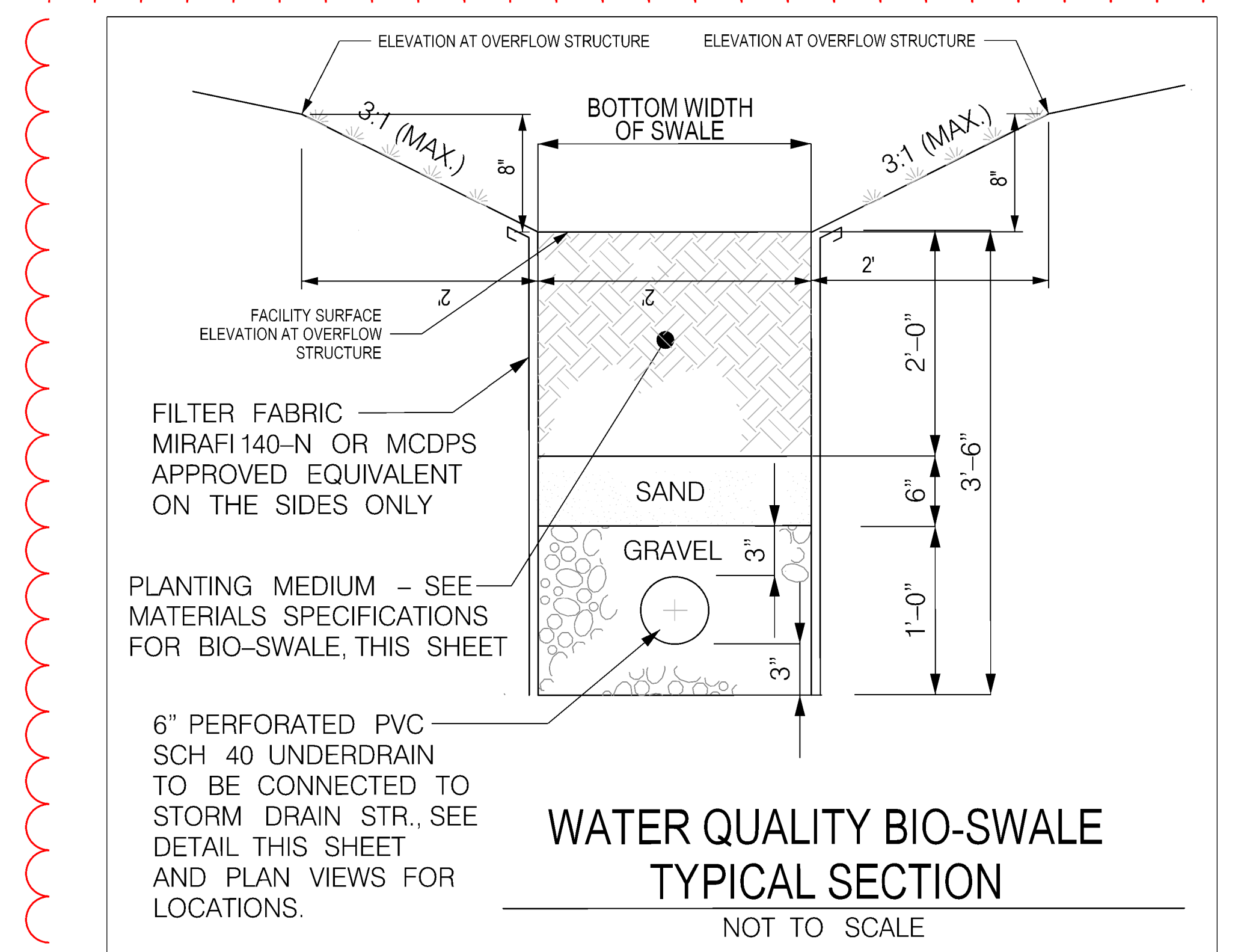


Table for 1-CARTRIDGE CATCHBASIN STORMFILTER DATA with columns: CARTRIDGE SELECTION, FLOW RATE (GPM), and various dimensions.

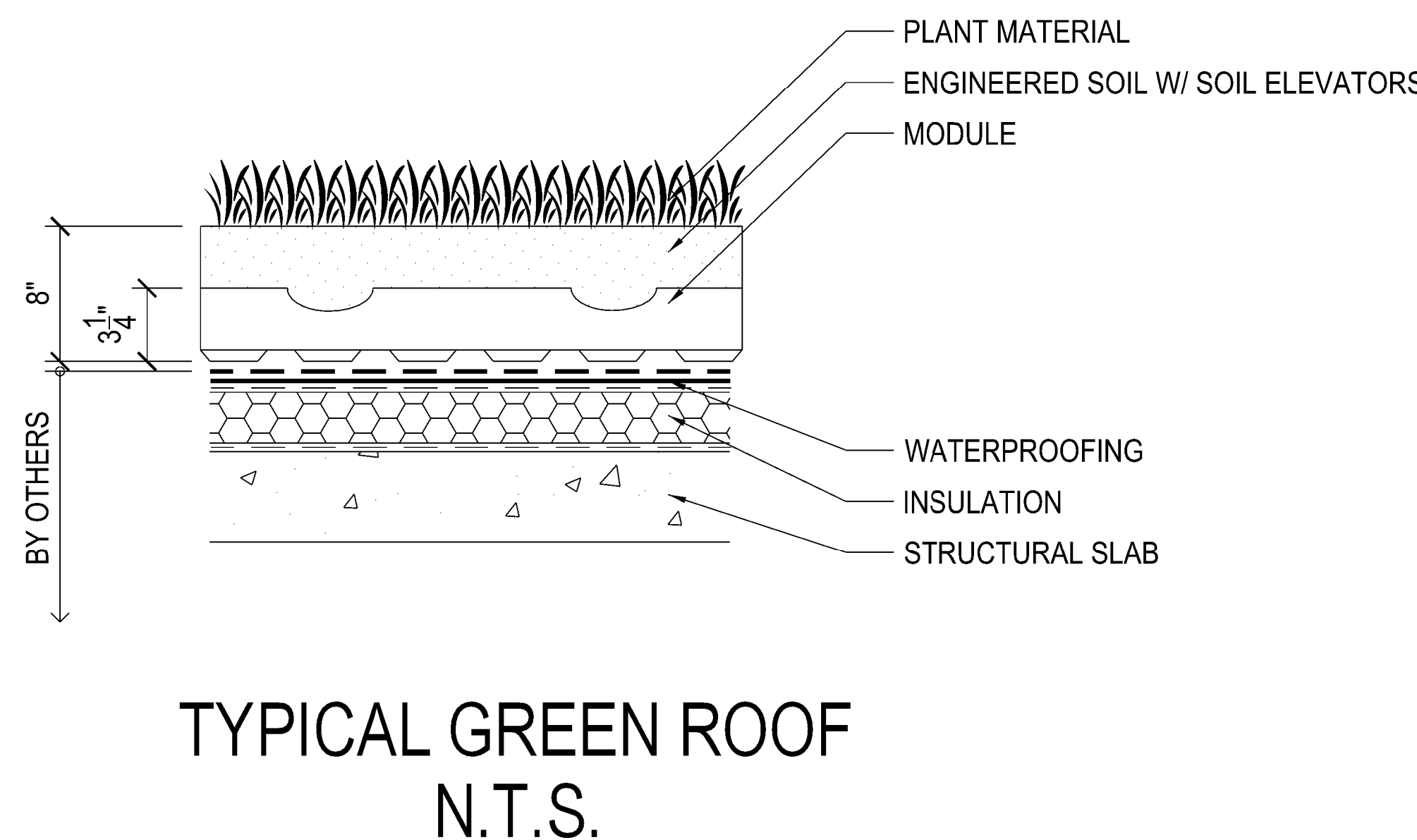
CONTECH ENGINEERED SOLUTIONS, INC. 1-CARTRIDGE CONCRETE CATCHBASIN STORMFILTER STANDARD DETAIL

MWS-1-8-16-V STORMWATER INFILTRATION SYSTEM STANDARD DETAIL. Includes site specific data table, installation notes, plan view, left and right end views, and elevation view.

MODULAR WETLAND SYSTEM (MWS)



WATER QUALITY BIO-SWALE TYPICAL SECTION NOT TO SCALE



TYPICAL GREEN ROOF N.T.S.

SOLTESZ, INC. logo and contact information for Rockville, Lanham, and Leonardtown offices.

Revision table with columns: DATE, CAD STANDARDS VERSION, REVISIONS, BY, DATE.

MISS UTILITY NOTE: INFORMATION CONCERNING EXISTING UNDERGROUND UTILITIES WAS OBTAINED FROM AVAILABLE RECORDS...

OWNER/DEVELOPER/APPLICANT: WILGUS ASSOCIATES, LTD PARTNERSHIP, C/O WILLCO, 7811 MONTROSE ROAD, SUITE 200, POTOMAC, MD 20854...

Professional Certification: HEREBY CERTIFY THAT THESE DOCUMENTS WERE PREPARED OR APPROVED BY ME, AND THAT I AM A DULY LICENSED PROFESSIONAL ENGINEER UNDER THE LAWS OF THE STATE OF MARYLAND.

STORM WATER MANAGEMENT CONCEPT DETAILS SWM SITE DEVELOPMENT CONCEPT (PHASE 1) NORTH PARK AT MONTROSE (WILGUS TRACT) 7811 MONTROSE ROAD