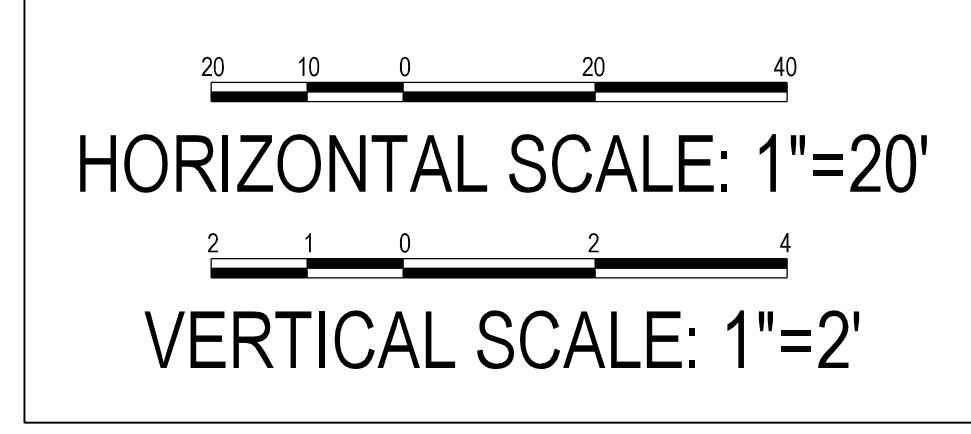
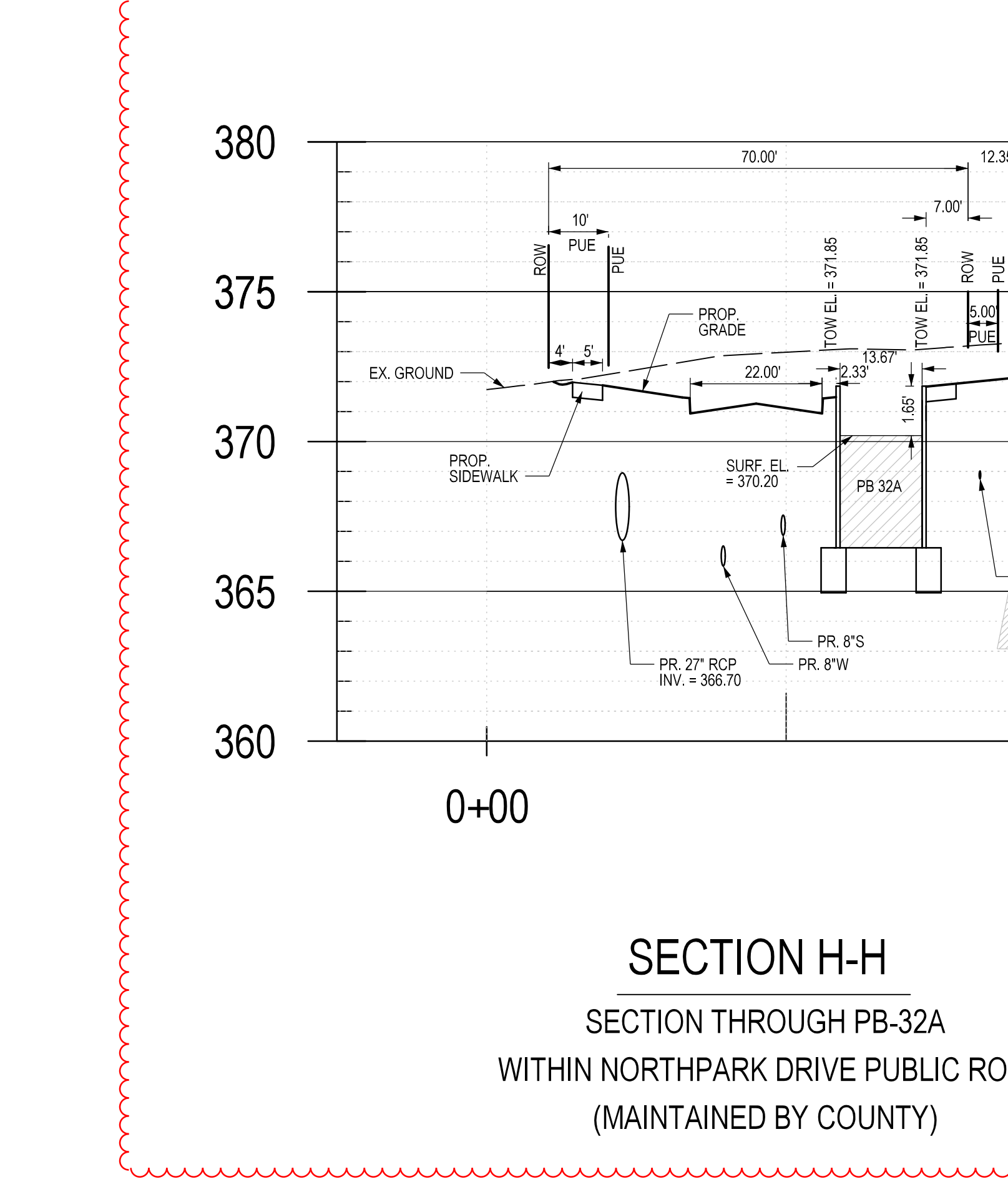
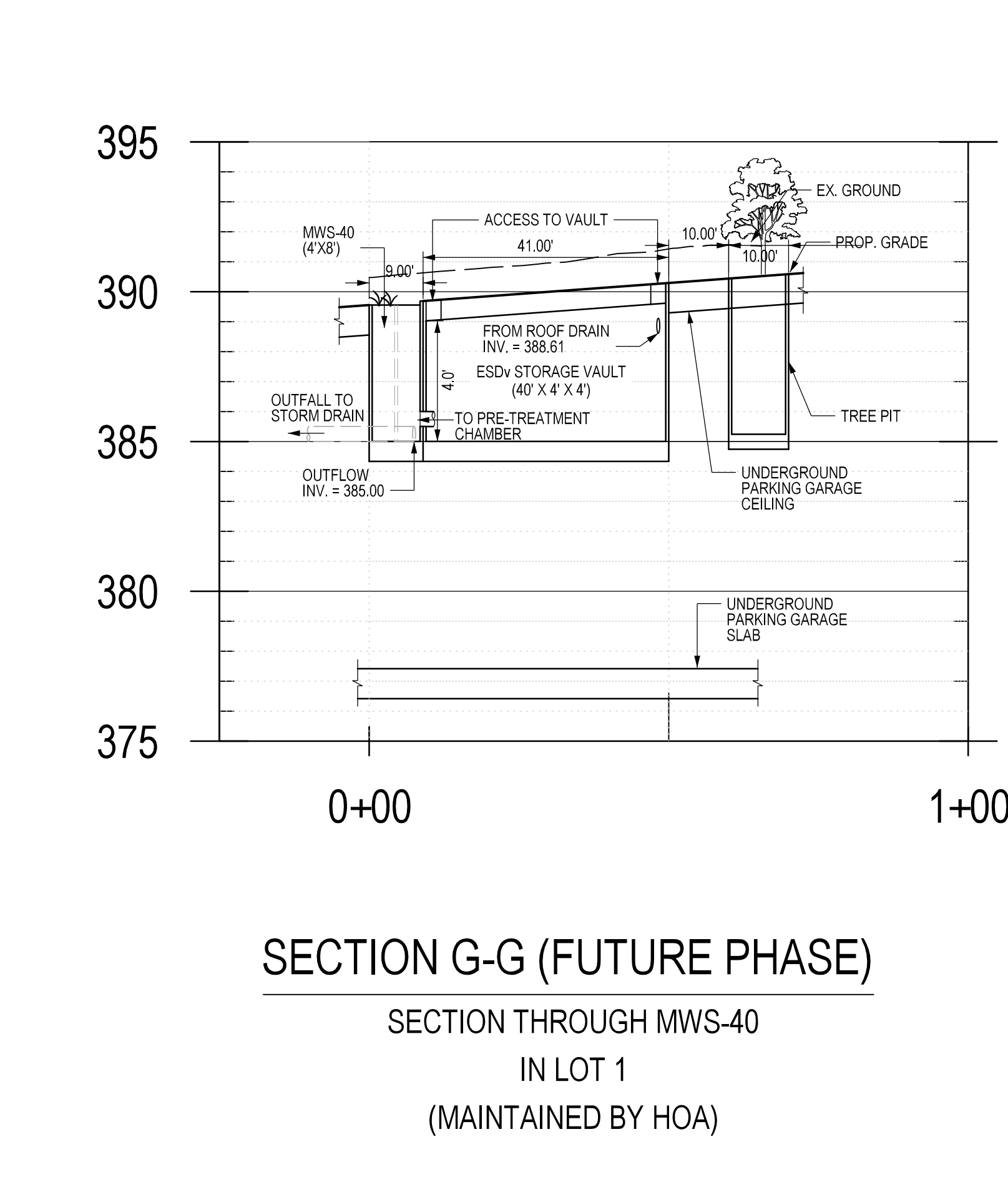
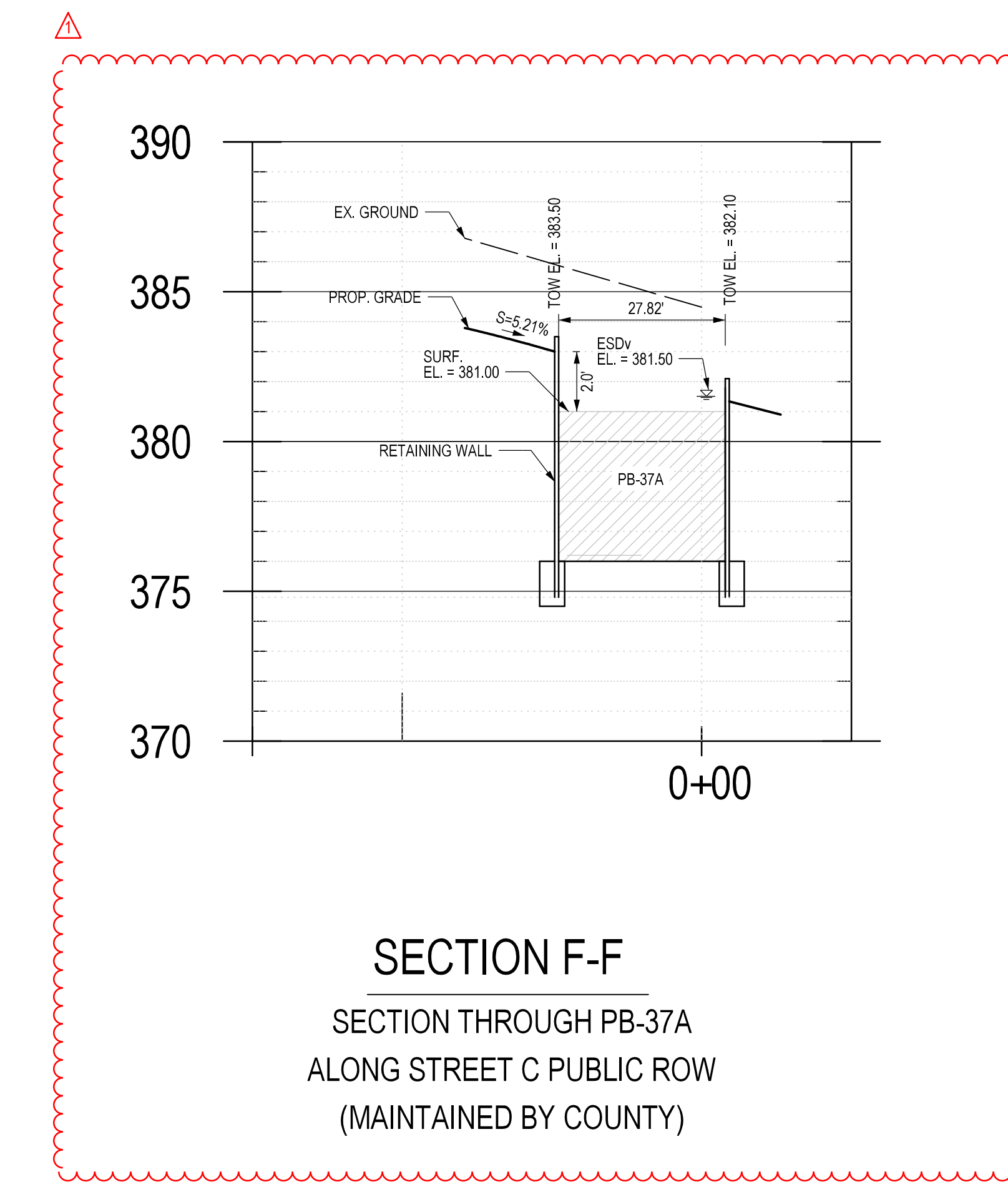
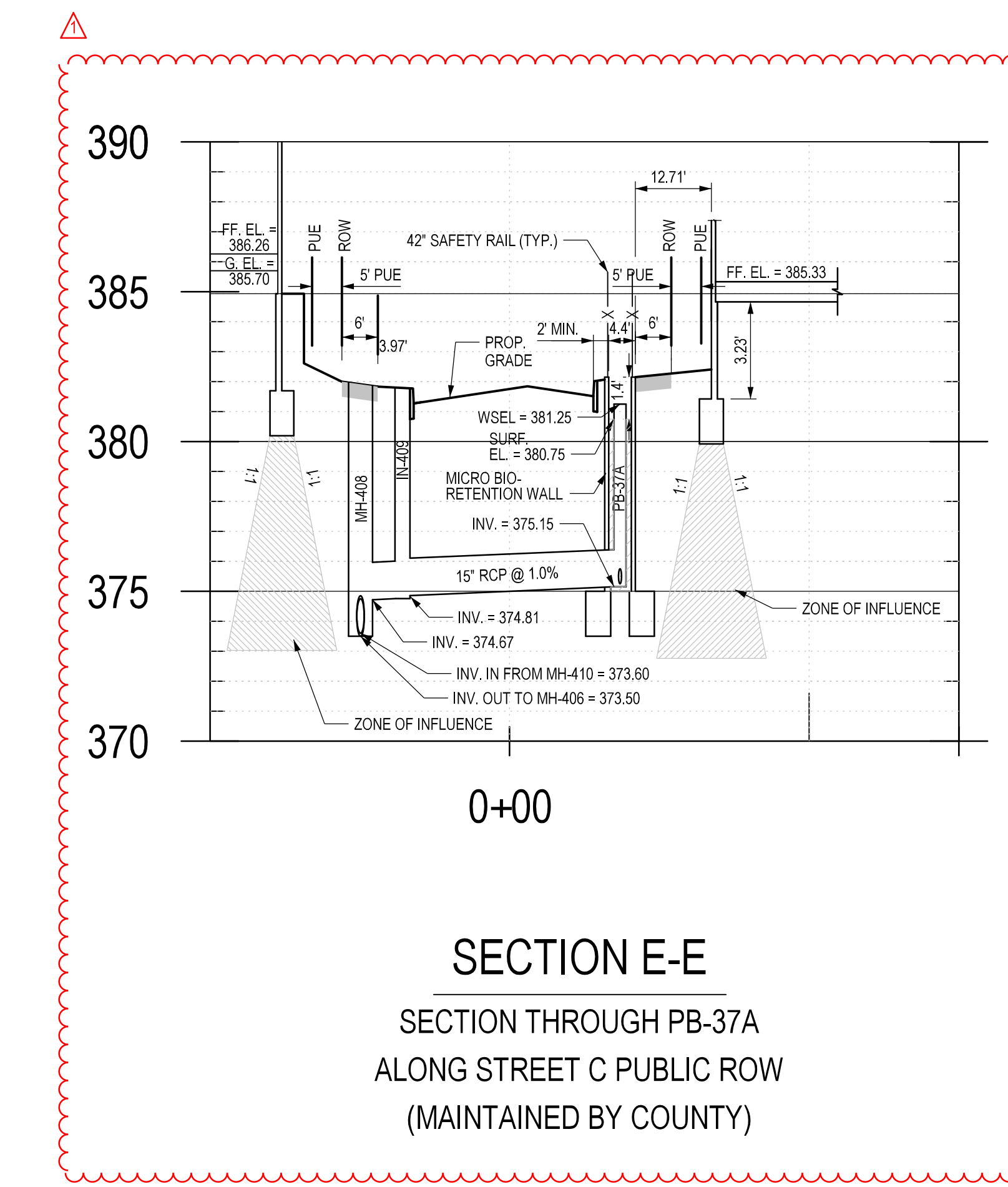
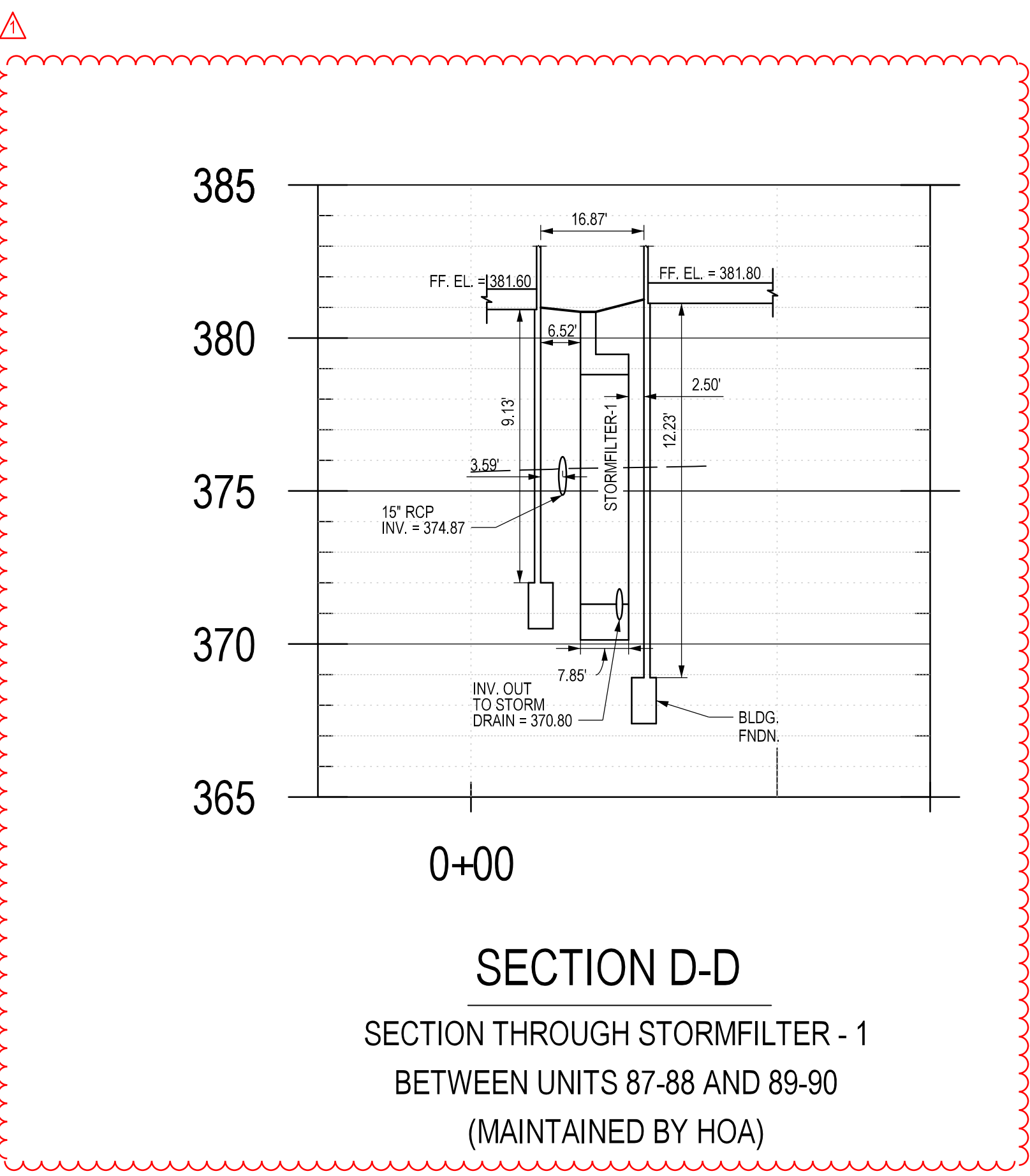
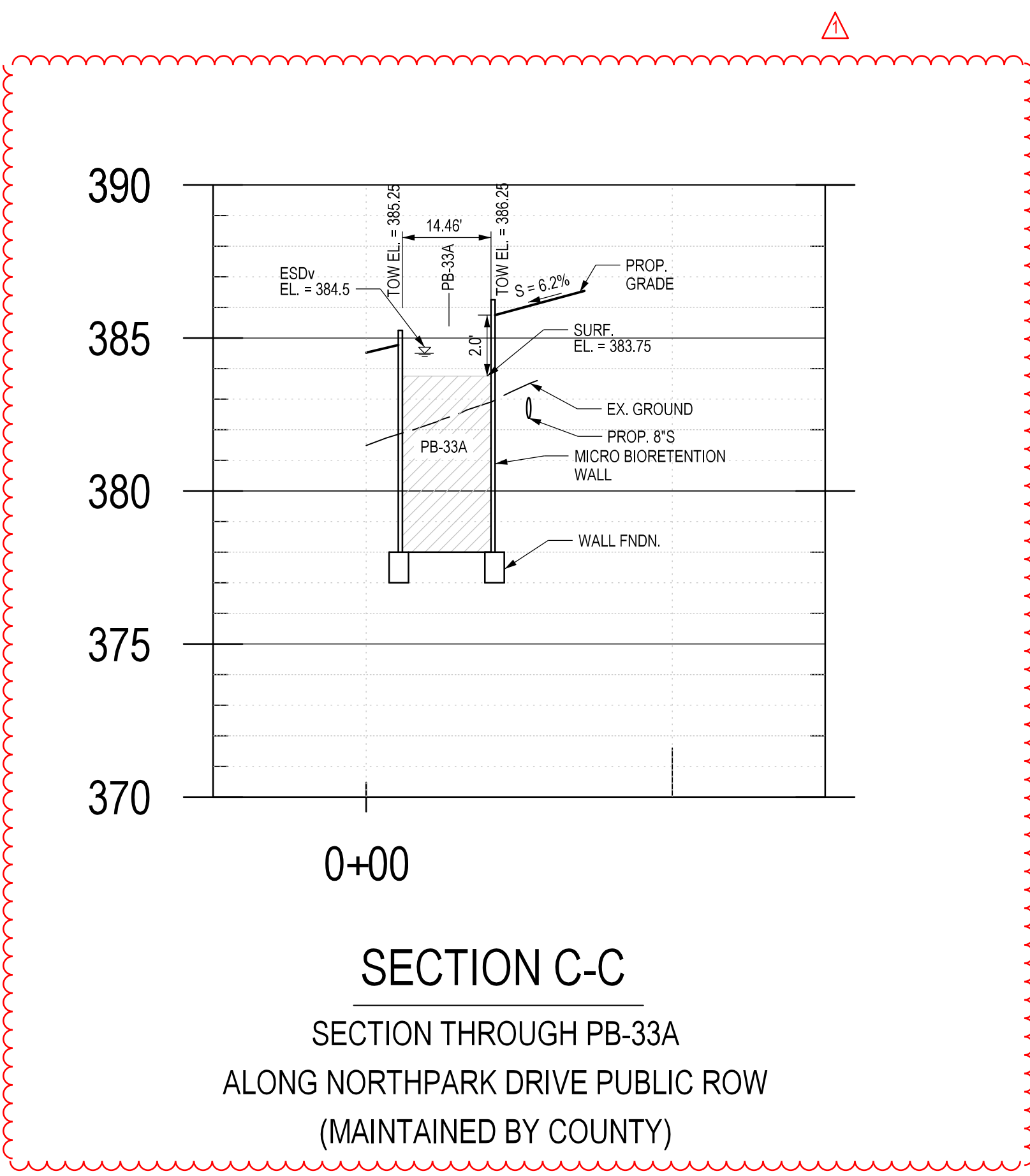
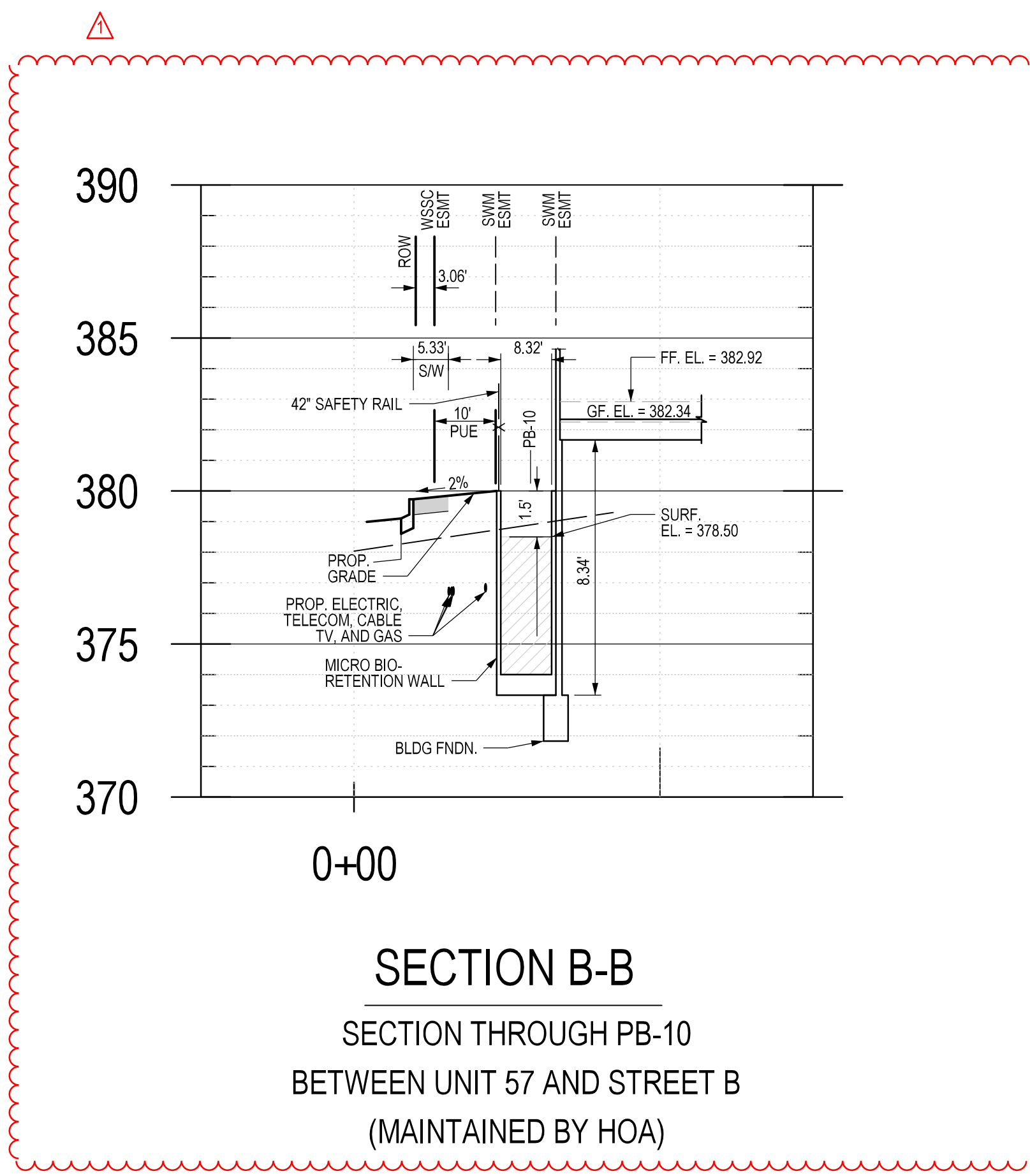
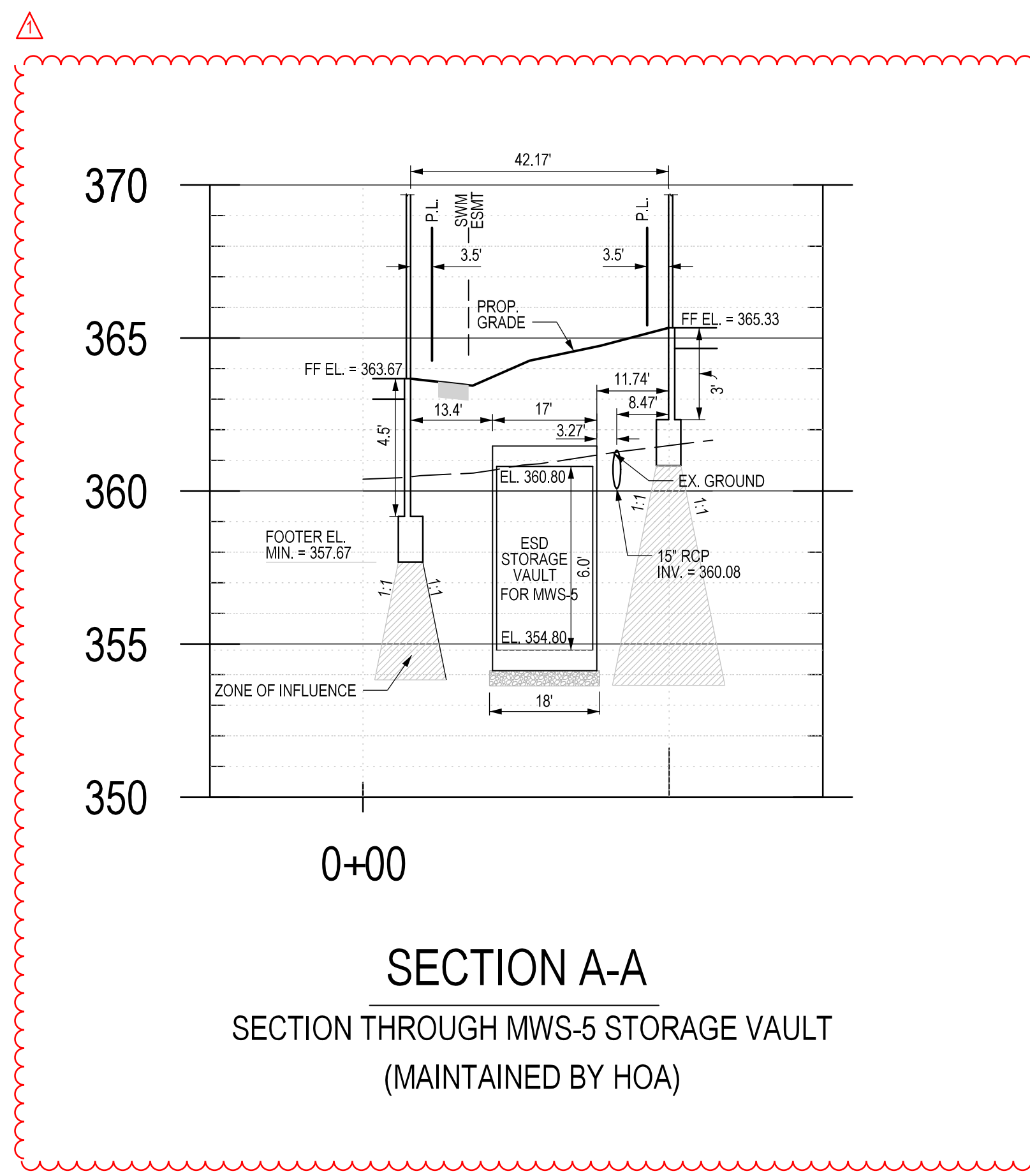


The original of this drawing document was prepared by Soltesz, Inc. (SOLTESZ). This document was not obtained directly from SOLTESZ, and/or it was transmitted electronically. SOLTESZ cannot guarantee that unauthorized changes and/or alterations were not made by others. If verification of the information contained herein is needed, contact should be made directly with SOLTESZ. SOLTESZ makes no warranties, express or implied, concerning the accuracy of any information that has been transmitted by electronic means.



SOLTESZ, INC.
 Rockville Office
 2 Research Place, Suite 100
 Rockville, MD 20850
 P. 301.948.2750 F. 301.948.9067
 www.soltesz.com

NO.	REVISIONS FOR SWM SITE DEVELOPMENT CONCEPT PHASE 1	DATE	BY
1	ISSUED FOR REVIEW	2/18/2021	J.S.
2	REVISED PER COMMENTS	3/10/2021	J.S.
3	REVISED PER COMMENTS	3/10/2021	J.S.

MISS UTILITY NOTE
 INFORMATION CONCERNING EXISTING UNDERGROUND UTILITIES WAS OBTAINED FROM AVAILABLE RECORDS. THE CONTRACTOR MUST DETERMINE THE EXACT LOCATION AND ELEVATION OF ALL EXISTING UTILITIES AND UTILITIES ORIGINATING BY ENGINEER TEST PITS BY HAND, WELL IN ADVANCE OF THE START OF EXCAVATION. CONTACT MISS UTILITY AT 1-800-261-7777. 48 HOURS PRIOR TO THE START OF EXCAVATION. IF CLEARANCES ARE LESS THAN SHOWN ON THE PLAN OR TWELVE (12) INCHES, WHOEVER IS LESS, CONTACT THE ENGINEER AND THE UTILITY COMPANY BEFORE PROCEEDING WITH CONSTRUCTION. CLEARANCES LESS THAN NOTED MAY REQUIRE REVISIONS TO THIS PLAN.

OWNER/DEVELOPER/APPLICANT
 WILGUS ASSOCIATES, LTD PARTNERSHIP, C/O WILCO
 7811 MONTROSE ROAD
 SUITE 200
 POTOMAC, MD 20854
 PHONE: (240) 396-1421
 BMAZZUCA@WILCO.COM
 ROBERT A. MAZZUCA

MAP	ADC	GRID	5285
TAX MAP	G002	JOINING CATEGORY:	CR-20, CR-10, CR-15, CR-20, CR-25, CR-30, CR-35, CR-40, CR-45, CR-50, CR-55, CR-60, CR-65, CR-70, CR-75, CR-80, CR-85, CR-90, CR-95, CR-100
WSEC SHEET	215 NW 06	SITE DATUM:	HORIZONTAL: NAD83 VERTICAL: NAD83

PROFESSIONAL CERTIFICATION
 I HEREBY CERTIFY THAT THESE DOCUMENTS WERE PREPARED OR APPROVED BY ME, AND THAT I AM A DULY LICENSED PROFESSIONAL ENGINEER UNDER THE LAWS OF THE STATE OF MARYLAND.
 LICENSE NO. 30227 EXPIRATION DATE: 05/15/2022

STORM WATER MANAGEMENT CONCEPT DETAILS

STORM WATER MANAGEMENT CONCEPT SITE DEVELOPMENT CONCEPT (PHASE 1) NORTHPARK AT MONTROSE (WILGUS TRACT)

RESIDUE PARCELS 5, ROCKVILLE FACILITY, PLAT BOOK 102 PLAT NO. 11588, RESIDUE PARCEL 7A, ROCKVILLE FACILITY, PLAT BOOK 104 PLAT NO. 11948, RESIDUE PARCEL Q, WASHINGTON SCIENCE CENTER, PLAT BOOK 183 PLAT NO. 20343, RESIDUE PARCEL 7B, ROCKVILLE FACILITY, PLAT BOOK 104 PLAT NO. 11948, RESIDUE PARCEL R, WASHINGTON SCIENCE CENTER, PLAT BOOK 183 PLAT NO. 20343, RESIDUE PARCEL 6, ROCKVILLE FACILITY, PLAT BOOK 102 PLAT NO. 11588

6060 MONTROSE ROAD
 ROCKVILLE (4TH) ELECTION DISTRICT, MONTGOMERY COUNTY, MARYLAND

PROJECT NO. 1325-02-01

STORM WATER MANAGEMENT CONCEPT DETAILS

SHEET **6** OF **7-10**

PROJECT NO. 1325-02-01