



MONTGOMERY COUNTY, MARYLAND
 DEPARTMENT OF PUBLIC WORKS AND TRANSPORTATION
 DEPARTMENT OF PERMITTING SERVICES

SIGHT DISTANCE EVALUATION

Facility/Subdivision Name: 9800 Medical Center Dr Preliminary Plan Number: 1-20110080
 Site Plan Number: 81995045G
 Street Name: Medical Center Drive Master Plan Road Classification: Primary

Posted Speed Limit: 30 mph

Street/Driveway #1 (Ex.Site Entrance:)

Number 1

Sight Distance (feet)	OK?
Right <u>N/A</u>	<u>yes</u>
Left <u>575'</u>	<u>yes</u>

Comments: both distances are possible,
remove existing parking space for
left side.

~~Street/Driveway #2 (_____)~~

~~Sight Distance (feet) OK?~~

Right _____	_____
Left _____	_____

~~Comments: _____~~

GUIDELINES

Classification or Posted Speed (use higher value)	Required Sight Distance in Each Direction*
Tertiary - 25 mph	150'
Secondary - 30	200'
Business - 30	200'
Primary - <u>35</u>	<u>250'</u>
Arterial - 40	325'
(45)	400'
Major - 50	475'
(55)	550'

Sight distance is measured from an eye height of 3.5' at a point on the centerline of the driveway (or side street) 6' back from the face of curb or edge of traveled way of the intersecting roadway where a point 2.75' above the road surface is visible. (See attached drawing)

*Source: AASHTO

ENGINEER/ SURVEYOR CERTIFICATE

I hereby certify that this information is accurate and was collected in accordance with these guidelines.

 Signature Date
49428
 PLS/P.E. MD Reg. No.

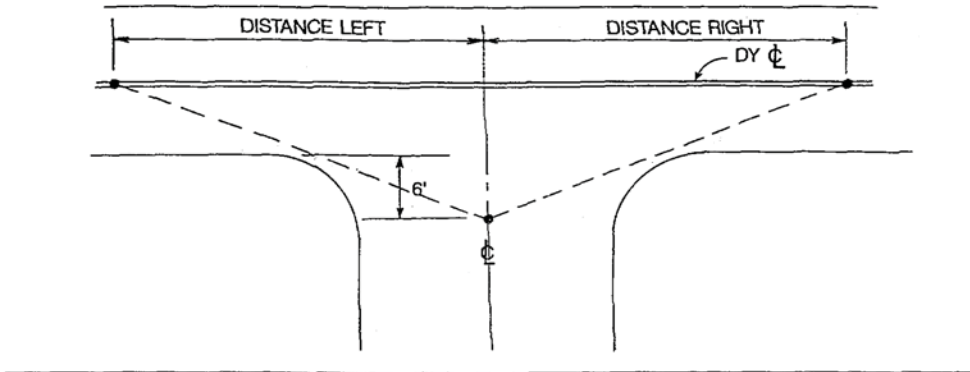
Montgomery County Review:	
<input type="checkbox"/>	Approved
<input type="checkbox"/>	Disapproved:
By:	_____
Date:	_____



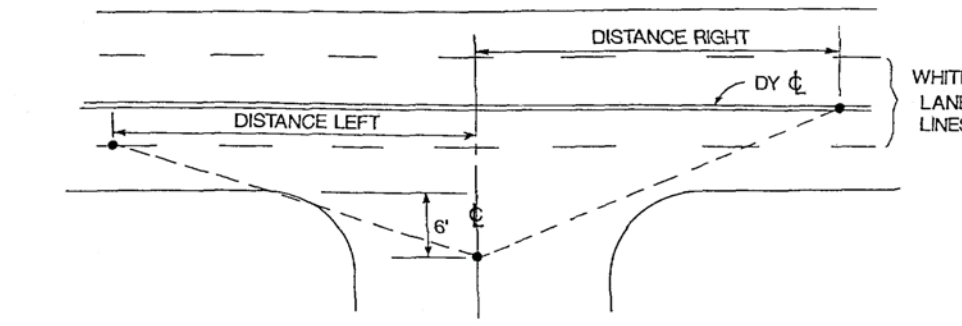
MONTGOMERY COUNTY, MARYLAND
DEPARTMENT OF PUBLIC WORKS AND TRANSPORTATION
DEPARTMENT OF PERMITTING SERVICES

SIGHT DISTANCE EVALUATION ATTACHMENT

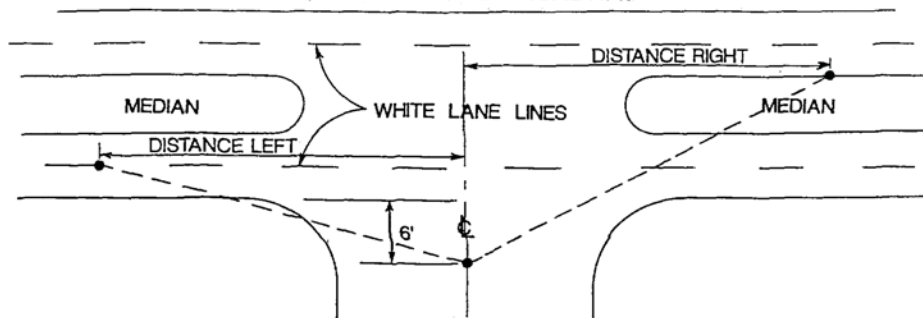
2 LANE UNDIVIDED ROADWAY



MULTI-LANE UNDIVIDED ROADWAY



MULTI-LANE DIVIDED ROADWAY





MONTGOMERY COUNTY, MARYLAND
 DEPARTMENT OF PUBLIC WORKS AND TRANSPORTATION
 DEPARTMENT OF PERMITTING SERVICES

SIGHT DISTANCE EVALUATION

Facility/Subdivision Name: 9800 Medical Center Dr Preliminary Plan Number: 1-20110080
 Site Plan Number: 81995045G

Street Name: Medical Center Drive Master Plan Road Classification: Primary

Posted Speed Limit: 30 mph

Street/Driveway #1 (Ex.Site Entrance:)

number 2

Sight Distance (feet)	OK?
Right <u>603'</u>	<u>yes</u>
Left <u>574'</u>	<u>yes</u>

Comments: clear line of sight in both directions

~~Street/Driveway #2 (_____)~~

~~Sight Distance (feet) OK?~~

Right _____	_____
Left _____	_____

~~Comments: _____~~

GUIDELINES

Classification or Posted Speed (use higher value)	Required Sight Distance in Each Direction*
Tertiary - 25 mph	150'
Secondary - 30	200'
Business - 30	200'
Primary - <u>35</u>	<u>250'</u>
Arterial - 40	325'
(45)	400'
Major - 50	475'
(55)	550'

Sight distance is measured from an eye height of 3.5' at a point on the centerline of the driveway (or side street) 6' back from the face of curb or edge of traveled way of the intersecting roadway where a point 2.75' above the road surface is visible. (See attached drawing)

*Source: AASHTO

ENGINEER/ SURVEYOR CERTIFICATE

I hereby certify that this information is accurate and was collected in accordance with these guidelines.

 Signature Date

49428
 PLS/P.E. MD Reg. No.

Montgomery County Review:

Approved

Disapproved:

By: _____

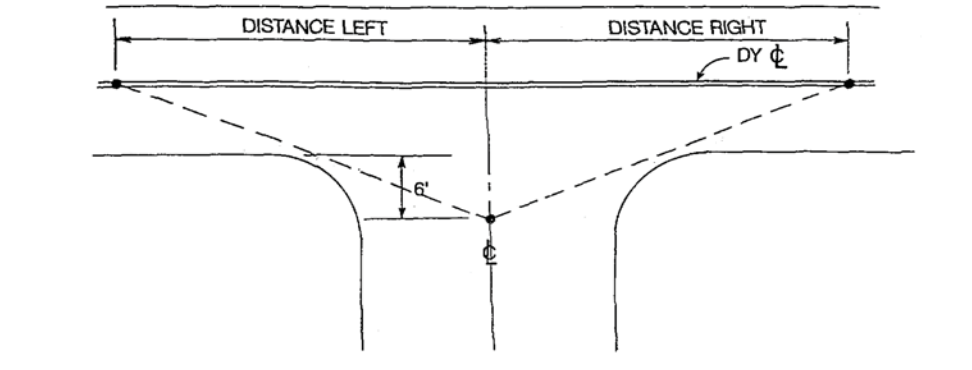
Date: _____



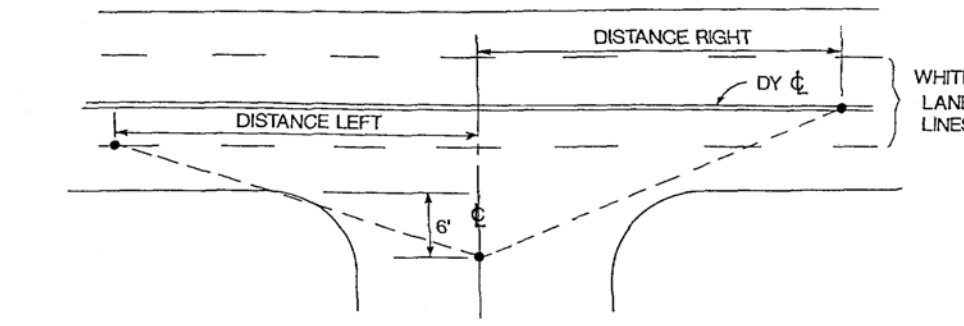
MONTGOMERY COUNTY, MARYLAND
DEPARTMENT OF PUBLIC WORKS AND TRANSPORTATION
DEPARTMENT OF PERMITTING SERVICES

SIGHT DISTANCE EVALUATION ATTACHMENT

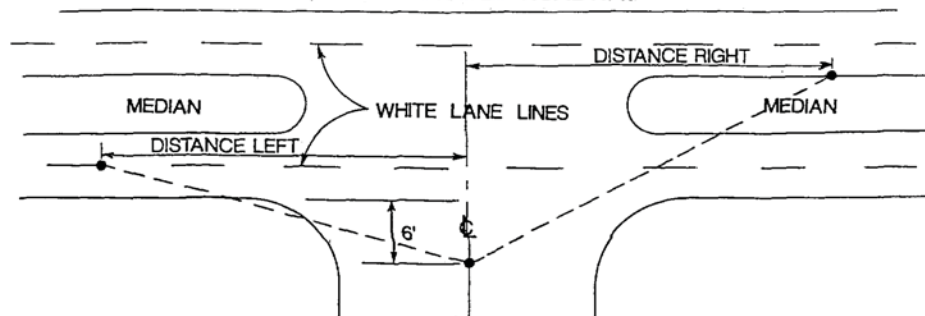
2 LANE UNDIVIDED ROADWAY



MULTI-LANE UNDIVIDED ROADWAY



MULTI-LANE DIVIDED ROADWAY





MONTGOMERY COUNTY, MARYLAND
 DEPARTMENT OF PUBLIC WORKS AND TRANSPORTATION
 DEPARTMENT OF PERMITTING SERVICES

SIGHT DISTANCE EVALUATION

Facility/Subdivision Name: 9800 Medical Center Dr Preliminary Plan Number: 1-20110080
 Site Plan Number: 81995045G
 Street Name: Medical Center Drive Master Plan Road Classification: Primary

Posted Speed Limit: 30 mph

Street/Driveway #1 (Ex.Site Entrance:)
Number 3
 Sight Distance (feet) OK?
 Right n/a yes
 Left 634' yes

~~Street/Driveway #2 (_____)
 Sight Distance (feet) OK?
 Right _____ _____
 Left _____ _____~~

Comments: clear line of sight in
both directions.

~~Comments: _____

 _____~~

GUIDELINES

Classification or Posted Speed (use higher value)	Required Sight Distance in Each Direction*
Tertiary - 25 mph	150'
Secondary - 30	200'
Business - 30	200'
Primary - <u>35</u>	<u>250'</u>
Arterial - 40	325'
(45)	400'
Major - 50	475'
(55)	550'

Sight distance is measured from an eye height of 3.5' at a point on the centerline of the driveway (or side street) 6' back from the face of curb or edge of traveled way of the intersecting roadway where a point 2.75' above the road surface is visible. (See attached drawing)

*Source: AASHTO

ENGINEER/ SURVEYOR CERTIFICATE

I hereby certify that this information is accurate and was collected in accordance with these guidelines.

 Signature Date
49428
 PLS/P.E. MD Reg. No.

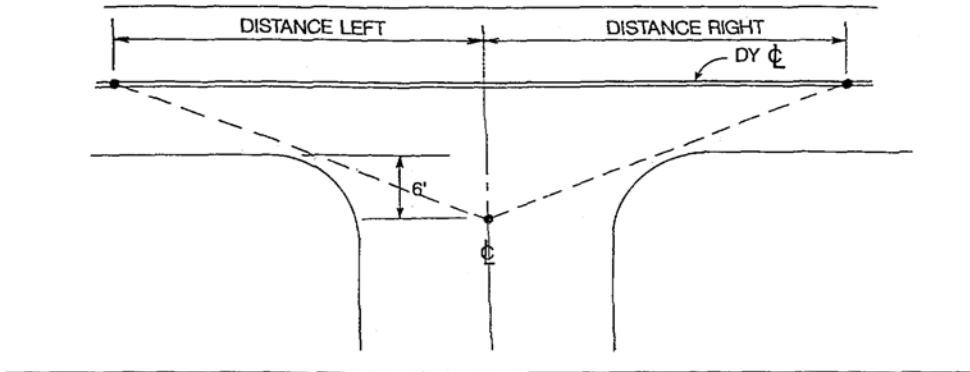
Montgomery County Review:	
<input type="checkbox"/>	Approved
<input type="checkbox"/>	Disapproved:
By:	_____
Date:	_____



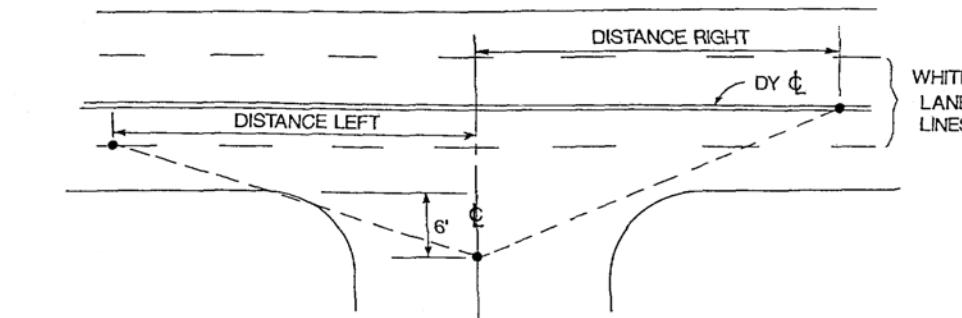
MONTGOMERY COUNTY, MARYLAND
DEPARTMENT OF PUBLIC WORKS AND TRANSPORTATION
DEPARTMENT OF PERMITTING SERVICES

SIGHT DISTANCE EVALUATION ATTACHMENT

2 LANE UNDIVIDED ROADWAY



MULTI-LANE UNDIVIDED ROADWAY



MULTI-LANE DIVIDED ROADWAY

