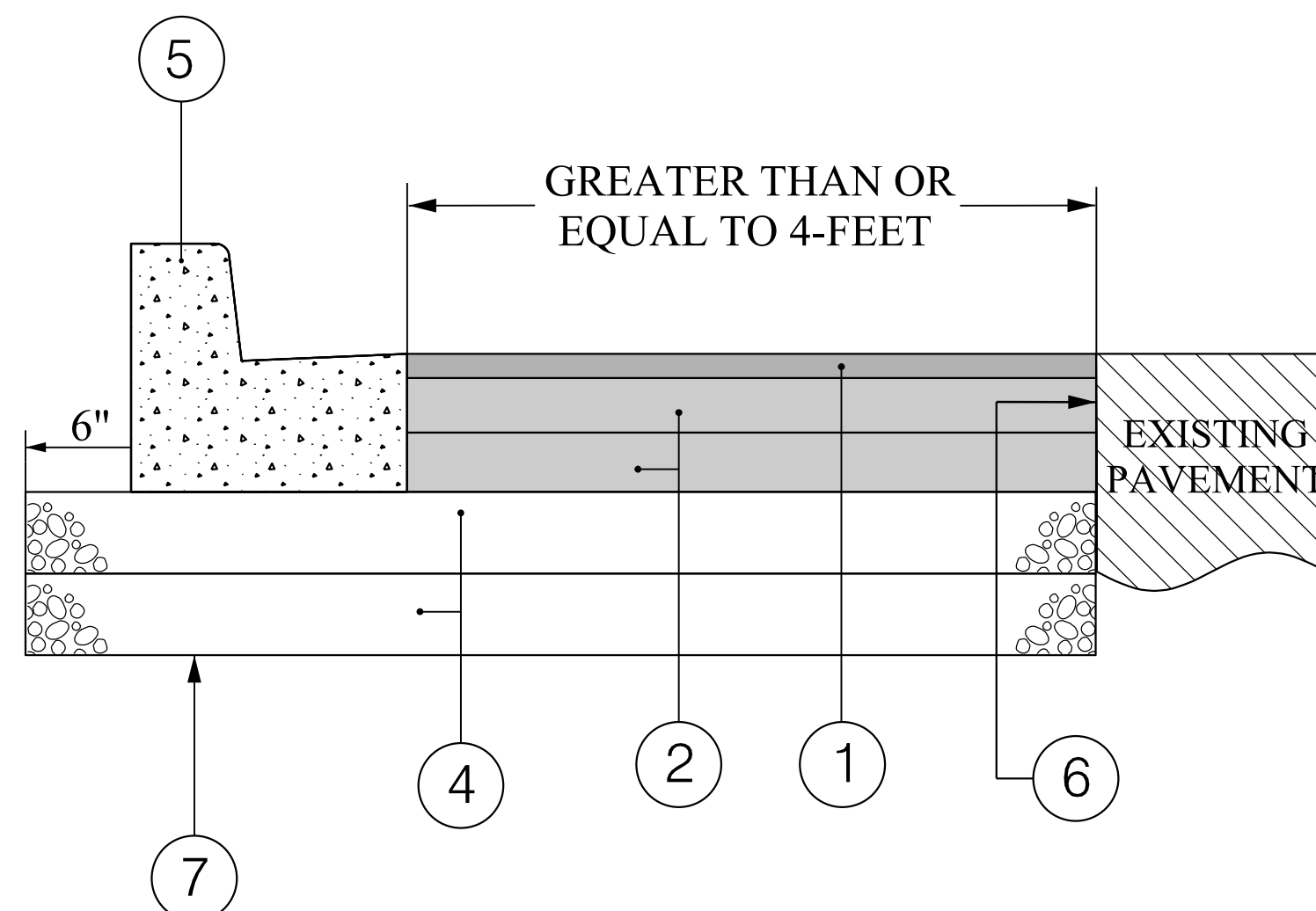
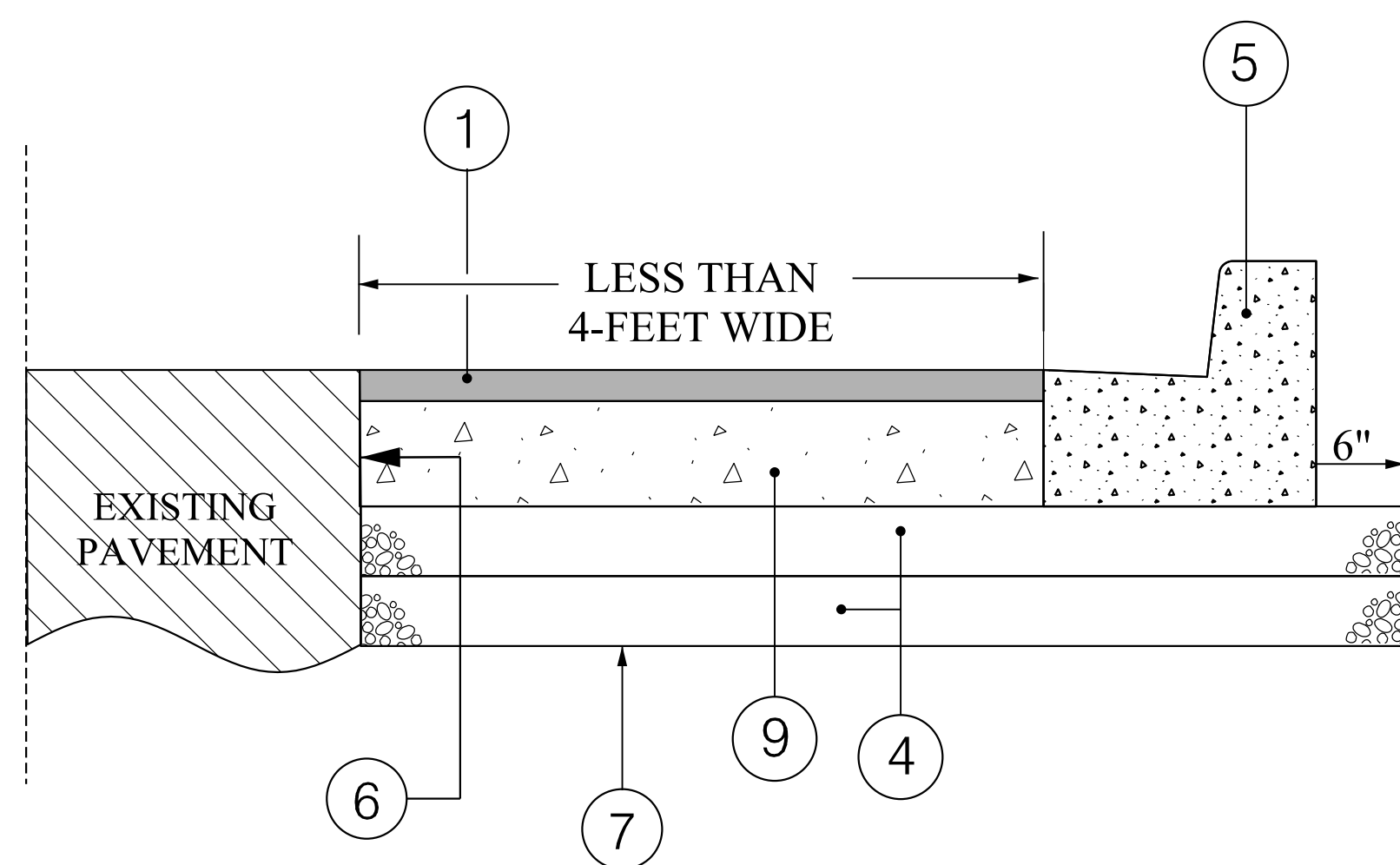


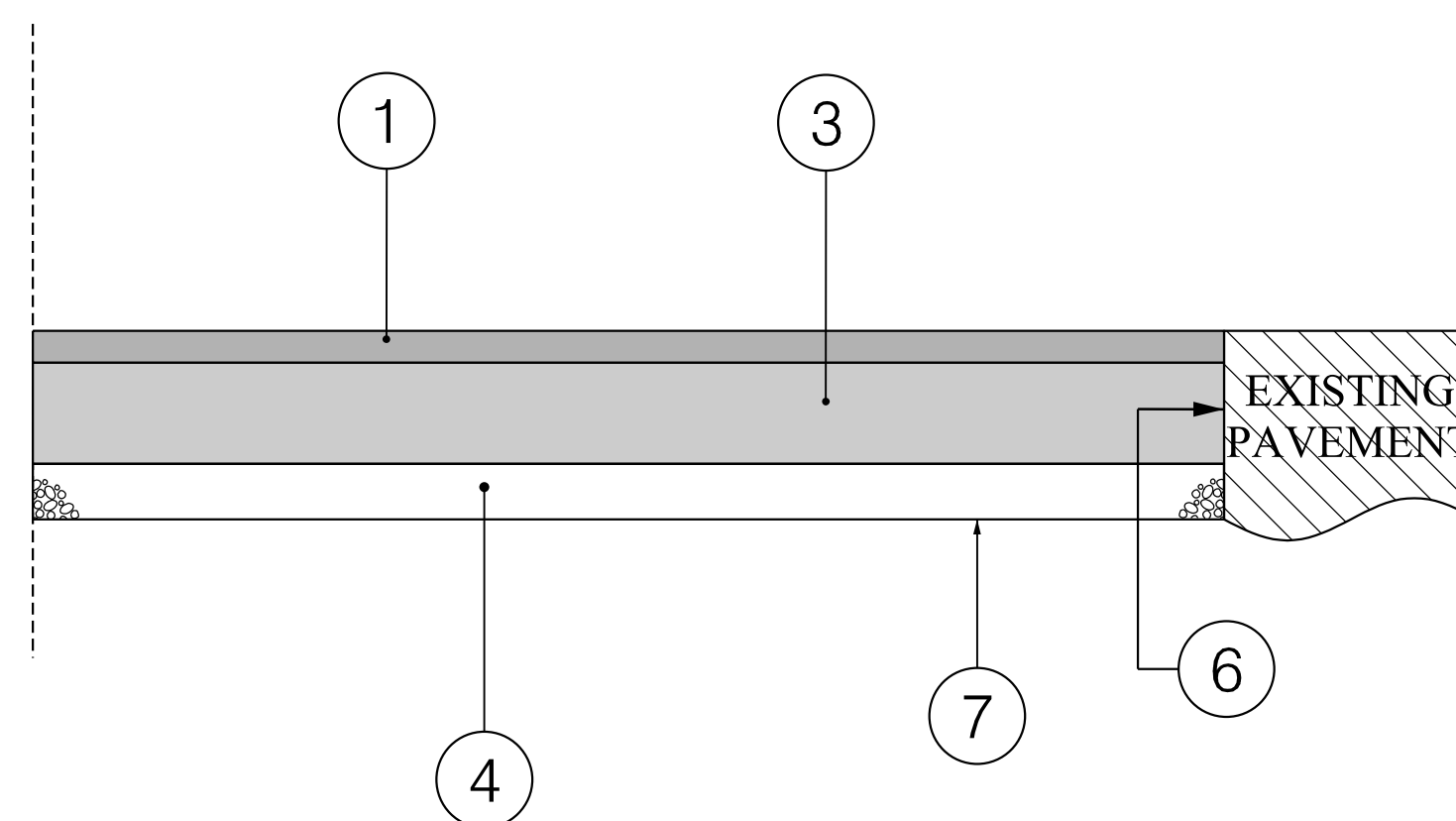
FINE MILLING AND RESURFACING
PAVEMENT DETAIL A



BASE WIDENING
PAVEMENT DETAIL C



NARROW BASE WIDENING
PAVEMENT DETAIL B



ASPHALT SECTION FOR DRIVEWAY
PAVEMENT DETAIL D

PAVEMENT LEGEND

- ① 2" SUPERPAVE ASPHALT MIX 9.5 mm FOR SURFACE, HDFV, PG64E-22, LEVEL 2
- ② 4" SUPERPAVE ASPHALT MIX 19.0 mm FOR BASE, PG 64S-22, LEVEL 2
- ③ 3" SUPERPAVE ASPHALT MIX 19.0 mm FOR BASE, PG 64S-22, LEVEL 2
- ④ 6" GRADED AGGREGATE BASE COURSE
- ⑤ MDOT SHA STANDARD TYPE A COMBINATION CURB AND GUTTER, OR MONOLITHIC MEDIAN (SEE PLANS)
- ⑥ FULL-DEPTH SAW CUT INCIDENTAL TO FULL-DEPTH PATCH, CURB AND GUTTER AND EXCAVATION ITEMS
- ⑦ TOP OF SUBGRADE AND LIMIT OF EXCAVATION (SEE NOTE 2)
- ⑧ TOP OF EXISTING PAVEMENT AFTER 2" FINE MILLING
- ⑨ 8" PLAIN PORTLAND CEMENT CONCRETE MIX NO. 9

PAVEMENT DETAIL NOTES

1. REMOVE AND DISPOSE OF ALL SOFT AND UNSTABLE MATERIAL PER SECTION 208 OF THE MDOT SHA STANDARD SPECIFICATIONS FOR CONSTRUCTION AND MATERIALS.
2. IN AREAS WHERE EXISTING PAVEMENT IS BEING REMOVED, THE LIMIT OF EXCAVATION SHALL BE AT THE BOTTOM OF THE BOUND MATERIALS IN THE EXISTING PAVEMENT OR AT THE TOP OF SUBGRADE, WHICHEVER IS LOWER.
3. FOR ASPHALT SHARED USE PATH, REFER TO MDOT SHA STD. NO. 580.08 FOR BIKE PATHS - FLEXIBLE PAVEMENT SECTION.
4. REFER TO MDOT SHA STD. NO. 578.01 FOR REPAIRING PAVEMENT OPENINGS WITHIN UTILITY/STORM DRAIN TRENCHES. PAVEMENT REPAIR FOR PIPE INSTALLATION IS INCIDENTAL TO PIPE INSTALLATION.
5. REFER TO MDOT SHA STD. NO. 578.03 FOR PERMANENT PATCHING FOR FLEXIBLE PAVEMENT USING APPROVED ASPHALT MIX.
6. REFER TO MDOT SHA STD. NO. 580.03 FOR NEW CURB AND GUTTER PLACEMENT ALONG EXISTING PAVEMENT.

PAVEMENT DETAILS SHALL BE REVIEWED BY MDOT SHA. DETAILS WERE DEVELOPED AS A PLACE HOLDER AND NOT BASED ON PAVEMENT BORINGS OR CORE DATA.

DT-01

CITY OF TAKOMA PARK
NEW AVE BIKEWAY, SECTION B
MD 650 (NEW HAMPSHIRE AVENUE)
POPLAR AVE TO AUBURN AVE

PAVEMENT DETAILS

30% PLANS SEPTEMBER 2020	SCALE <u>N.T.S.</u> DATE <u>SEPTEMBER 2020</u> CONTRACT NO. <u>T.B.D.</u>	
	DESIGNED BY <u>SAB</u>	COUNTY <u>MONTGOMERY</u>
	DRAWN BY <u>BB</u>	LOGMILE <u>MD 650 0.040-0.830</u>
	CHECKED BY <u>RJG</u>	F.A.P. NO. <u>T.B.D.</u>
DRAWING NO. <u>DT01</u>		1 OF 1
		SHEET NO. 4 OF 11



P: 410.728.2900 F: 410.728.2834
700 East Pratt Street, Suite 500 | Baltimore, MD 21202

Engineers | Construction Managers | Planners | Scientists
www.rkk.com

Responsive People | Creative Solutions

BY: sbarefoot -