



NOTES:
MONOLINE STANDARD BIKE RACK OR APPROVED EQUAL

QUANTITY: PER PLAN

MFR: SITEPIECES
3000 LAWRENCE ST #51
DENVER, CO 80209

FINISH: POWDERCOATED BLACK OR GRAY

BIKE RACK
N.T.S.



NOTES:
VELPORT BIKE LOCKER, VP-G-EPX

MODEL: VELPORT BIKE LOCKER, VP-G-EPX

SIZE: 32" W X 51" H X 18" L

OPTIONS: U-LOCK/PADLOCK HANDLE

COLOR: TO BE DETERMINED BY OWNER

QUANTITY: PER PLAN

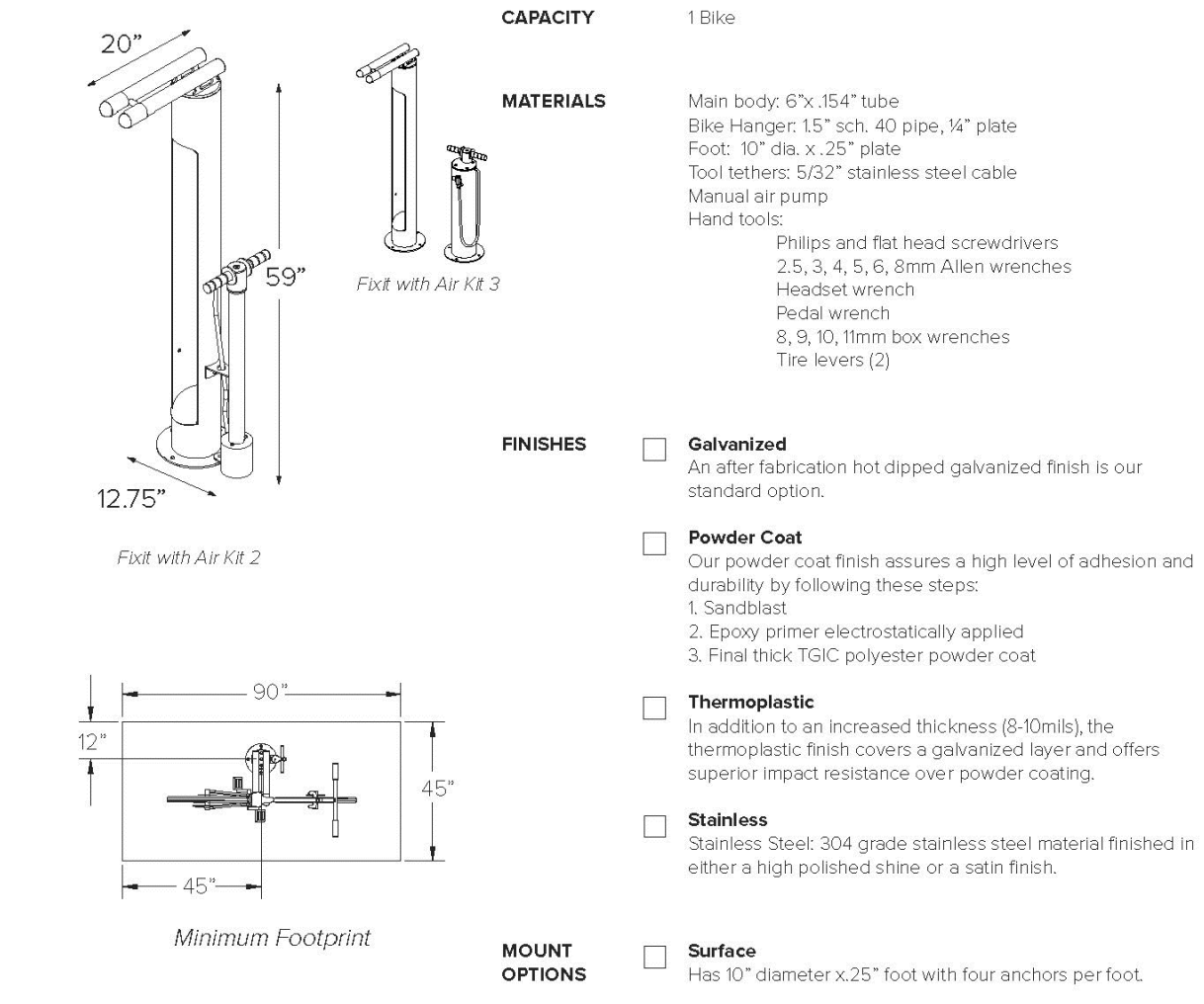
COMPANY: BELSON OUTDOORS
621 AMERSALE DRIVE
NAPERVILLE, IL 60563
800-323-5664
https://www.belson.com/Veloport

NOTES: INSTALL PER MANUFACTURERS RECOMMENDATIONS.

BIKE SHELTER
OR APPROVED EQUAL



FIXIT
Submittal Sheet



NOTES:
PERO, FIXIT
12.75" W X 51" H X 20" L

OPTIONS: FIX IT WITH AIR KIT

COLOR: TO BE DETERMINED BY OWNER

QUANTITY: PER PLAN

COMPANY: 42 NORTHERN STACKS DRIVE
MINNEAPOLIS, MN 55421
(888)331-6124
https://www.dera.com/product/fixit/

NOTES: INSTALL PER MANUFACTURERS RECOMMENDATIONS.

BICYCLE REPAIR STAND
N.T.S.



NOTES:
WELLSPRING 12" BENCH OR APPROVED EQUAL

MODEL: WELLSPRING 12" BENCH OR APPROVED EQUAL

QUANTITY: PER PLAN

MFR: LANDSCAPE FORMS
1800 E MICHIGAN AVE
KALAMAZOO, MI 49048

FINISH: TEAK

BENCH
N.T.S.



NOTES:
PORTSIDE OUTDOOR ADIRONDACK, OR APPROVED EQUAL

MODEL: PORTSIDE OUTDOOR ADIRONDACK, OR APPROVED EQUAL

QUANTITY: PER PLAN

MANUFACTURER: KEST ELM
BROOKLYN, NY

FINISH: DRIFTWOOD

ADIRONDACK CHAIR EXAMPLE
N.T.S.



NOTES:
MONOLINE LITTER BIN, 36 GALLON OR APPROVED EQUAL

MODEL: MONOLINE LITTER BIN, 36 GALLON OR APPROVED EQUAL

QUANTITY: PER PLAN

MFR: SITEPIECES
3000 LAWRENCE ST #51
DENVER, CO 80209

FINISH: POWDERCOATED GRAY OR WHITE

LITTER RECEPTACLE
N.T.S.



NOTES:
MIELA BENCH LINE156R, ALUMINUM WITH BACK AND ARMRESTS, OR APPROVED EQUAL

MODEL: 6" MIELA BENCH LINE156R, ALUMINUM WITH BACK AND ARMRESTS, OR APPROVED EQUAL

QUANTITY: PER PLAN

MFR: MODERN DESIGN SITE FURNISHINGS
30 PINE STREET
PITTSBURGH, PA 15223
WWW.FORMS-SURFACES.COM

COLOR & FINISH: POLYESTER COLOR POWDERCOAT WITH AGACIA WOOD SEATS.

MOVABLE SEATING EXAMPLE
N.T.S.



NOTES:
COPENHAGEN CHAIR, OR APPROVED EQUAL

MODEL: COPENHAGEN CHAIR, OR APPROVED EQUAL

GO CAFE TABLE, OR APPROVED EQUAL

QUANTITY: PER PLAN

MFR: STRAND + HVASS FOR CANE-LINE
RYNKEBY VJEL 245 DK-5350
RYNKEBY, DENMARK
CANE-LINE.COM

COLOR & FINISH: POLYESTER COLOR POWDERCOAT WITH AGACIA WOOD SEATS.

FLEXIBLE SEATING EXAMPLE (SQUARE)
N.T.S.



NOTES:
BK13 SWING SOFA OR APPROVED EQUAL

MODEL: BK13 SWING SOFA OR APPROVED EQUAL

QUANTITY: PER PLAN

MFR: CARL HANSEN

FINISH: TEAK

PORCH SWING EXAMPLE
N.T.S.



Suite 200 • 1272 5th Street NE • Washington, D.C. • 20002 Phone: 202.302.9300 • Fax: 202.544.4327

GLW
PLANNING | ENGINEERING | SURVEYING

3809 NATIONAL DRIVE | SUITE 250 | BURTONSVILLE, MD 20896 | GLWPA.COM
PHONE: 301-421-4024 | BALT: 410-880-1800 | DC/OVA: 301-488-2524 | FAX: 301-421-4188

DESIGNED BY	DATE	REVISION	BY	APPR.
KAB				
CHECKED BY				
KAF				

1. SEE STANDARD NOTES ON SHEETS L-101-105.
2. THE SELECTIONS SHOWN ARE ILLUSTRATIVE OF THE DESIGN, QUALITY AND TYPE OF MATERIALS TO BE USED FOR SITE FURNITURE. ACTUAL PRODUCT, MATERIALS AND COLORS WILL VARY BASED ON THE AVAILABILITY AT TIME OF PURCHASE AND SPECIFIC TENANT DESIGN STANDARDS.

PREPARED FOR:
Burtonsville (E&A), LLC
1272 5th Street NE
Suite 200
Washington, DC 20002
Attn: Jim McKenney
202-902-2600

SCALE	ZONING
AS SHOWN	ORT-1.5 (C-1.0 R-125, H-75)
DATE	TAX MAP - GRID
JUNE 2022	K5-562

DETAIL SHEET

BURTONSVILLE CROSSING SHOPPING CENTER
PARCEL 'L' - BURTONSVILLE
Plat No. 16306
Deed Book 24792 Page 246

COLESVILLE ELECTION DISTRICT No. 05

MONTGOMERY COUNTY, MARYLAND

G. L. W. FILE No.
16028
SHEET
19 OF 24

Amendment 01485104A Summary:

- Frontage improvements along Old Columbia Pike.
- Partial demolition of existing buildings.
- New Retail Buildings.
- Parking Modifications and revisions to meet ADA requirements.
- Updates to on-site lighting, landscape, pedestrian circulation and open space.

DEVELOPER'S CERTIFICATE

The undersigned agrees to execute all the features of the Site Plan Approval No. 01485104A, including Approval Conditions, Development Program, and Certified Site Plan.

Developer's Name: Burtonsville (E&A), LLC William Caldwell, Contact Person
Company: Company

Address: 1272 5th Street NE, Suite 200
Washington, DC 20002

Phone: (202) 902-2600

Signature: William Caldwell, Managing Director

SITE PLAN No. 81985104A

L:\CAROL\DRAWINGS\VEGETATION\PLANS\01 - GLW SITE PLAN\VEGETATION\01 - PLANTINGS.DWG