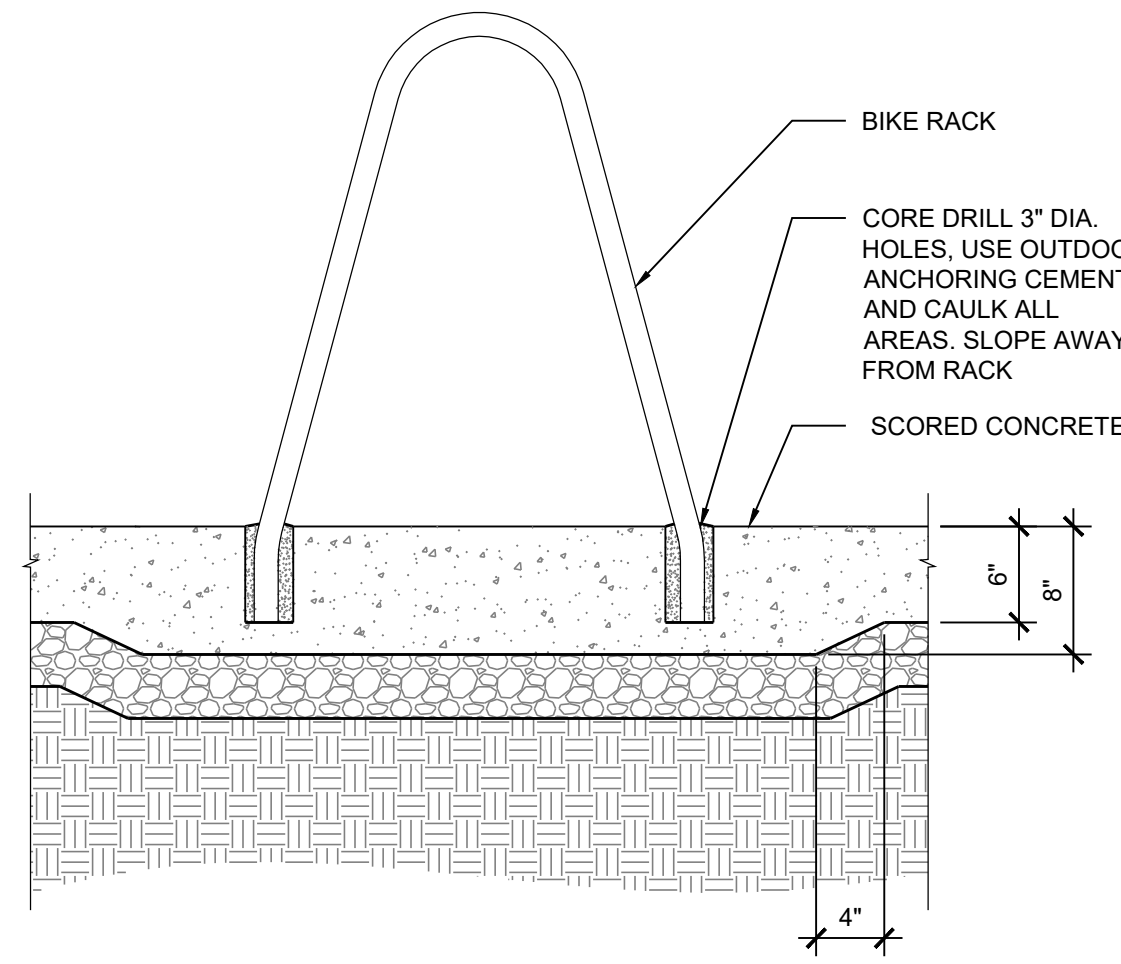
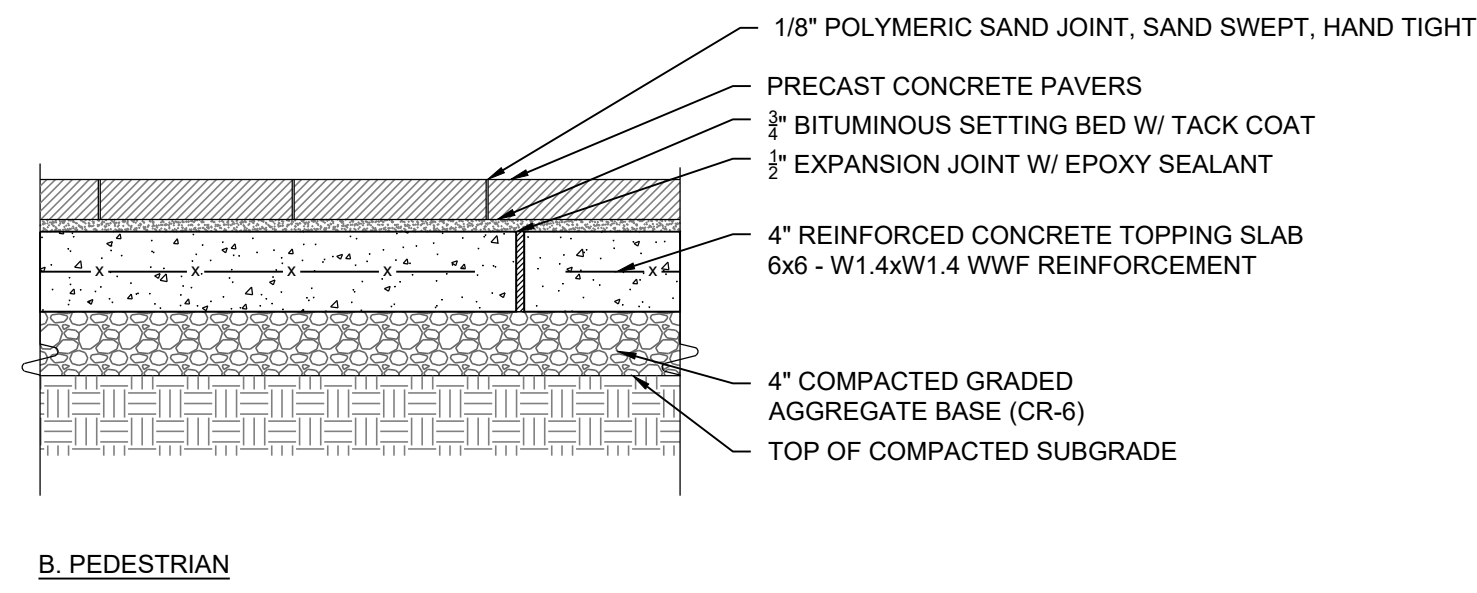
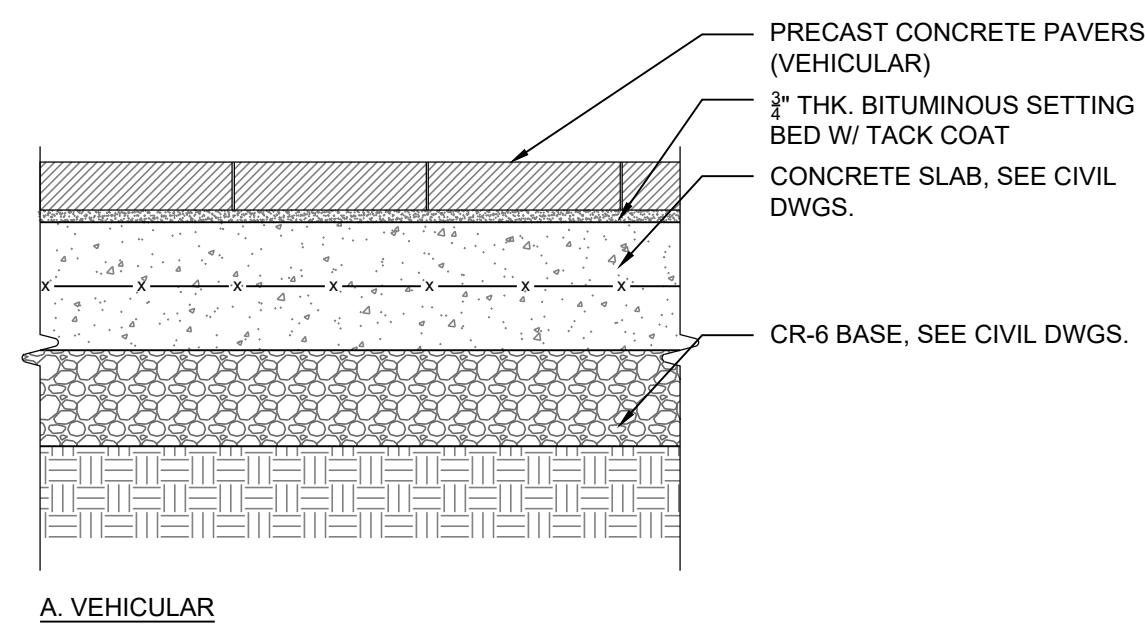
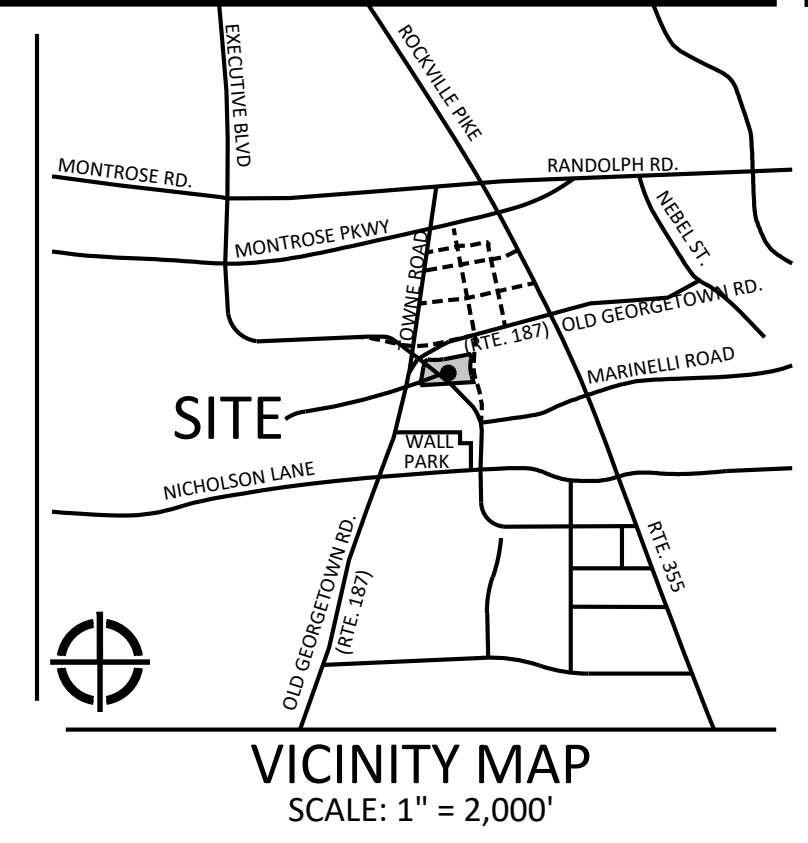


Certified Site Plan
 File No. **82015001B**
 Montgomery County Planning Board Approval

Chair or Designee: _____ Date: _____



PRODUCT INFORMATION
 MODEL: BOLA BIKE RACK, OR APPROVED EQUAL
 QUANTITY: PER PLAN
 MANUFACTURER: LANDSCAPE FORMS INC. 431 LAWNDALE AVE. KALAMAZOO, MI 49048 LANDSCAPEFORMS.COM
 COLOR & FINISH: STAINLESS STEEL, OR APPROVED EQUAL



Vika
 VIKI MARYLAND, LLC
 20251 Century Blvd., Suite 400
 Germantown, MD 20874
 301.916.4100 | vika.com
 Our Site Set on the Future.

PREPARED FOR:
STONEBRIDGE
 301.321.3202
 SMITH@STONEBRIDGE.US.COM

ATTORNEY:
SELZER GURVITCH RABIN WERTHEIMER & POLOTT, P.C.
 301.634.3150
 MATT GORDON

ARCHITECTS:
EWING COLE
 215.625.4411
 BRETT SPEARMAN

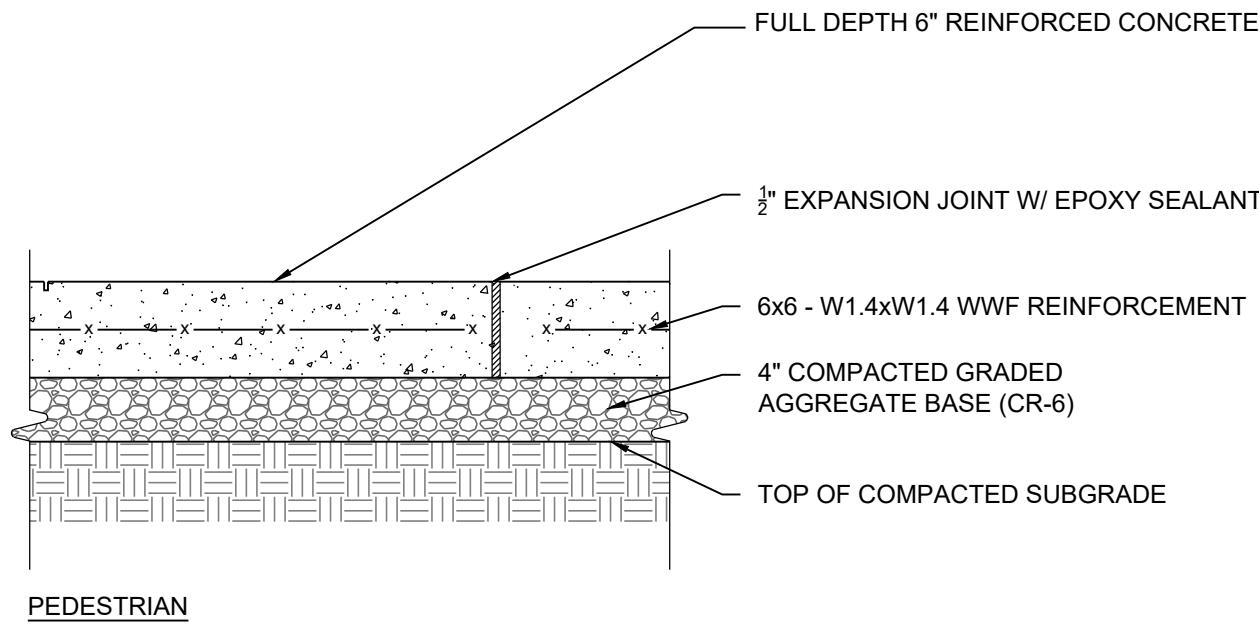
LANDSCAPE ARCHITECT:
MAHAN RYKIEL ASSOCIATES, INC.
 410.900.1626
 JINGPENG GU, PLA, ASLA

TRAFFIC ENGINEER:
WELLS + ASSOCIATES
 301.971.3415
 NANCY RANDALL

DRY UTILITY CONSULTANT:
RICHTER & ASSOCIATES
 301.XXX.XXXX
 XXXXXX

CIVIL ENGINEER:
VIKA MARYLAND, LLC
 301.916.4100
 JASON EVANS, P.E.

LAND PLANNER:
VIKA MARYLAND, LLC
 301.916.4100
 IAN P. DUKE



PEDESTRIAN

NOTES:
 1. REFER TO LANDSCAPE PLANS FOR EXPANSION JOINT LOCATIONS (NOT TO EXCEED 20' O.C.)
 2. CONTRACTOR TO SUBMIT EXPANSION JOINT MATERIAL COLOR OPTIONS TO LANDSCAPE ARCHITECT FOR APPROVAL.

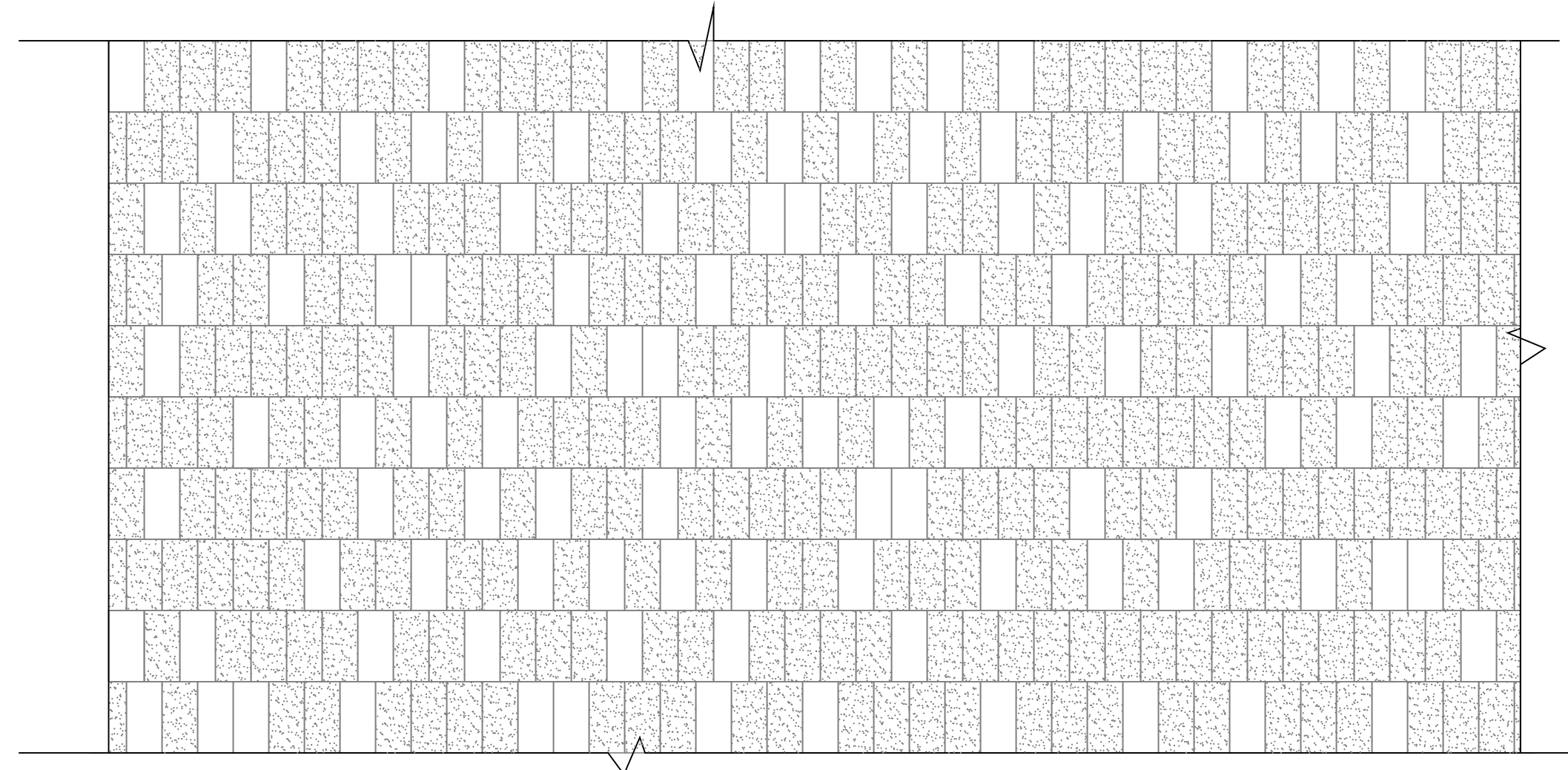
NOTES:
 1. CONTRACTOR TO SUBMIT EXPANSION JOINT MATERIAL FOR COLOR SELECTIONS TO LANDSCAPE ARCHITECT FOR APPROVAL.



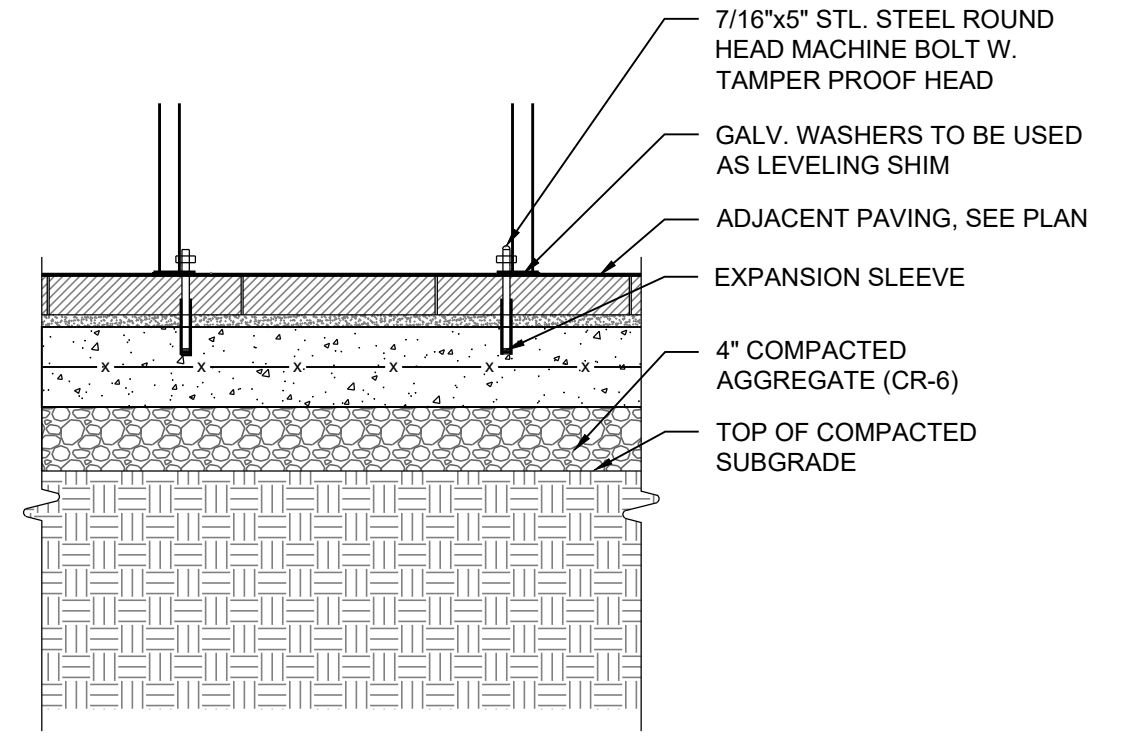
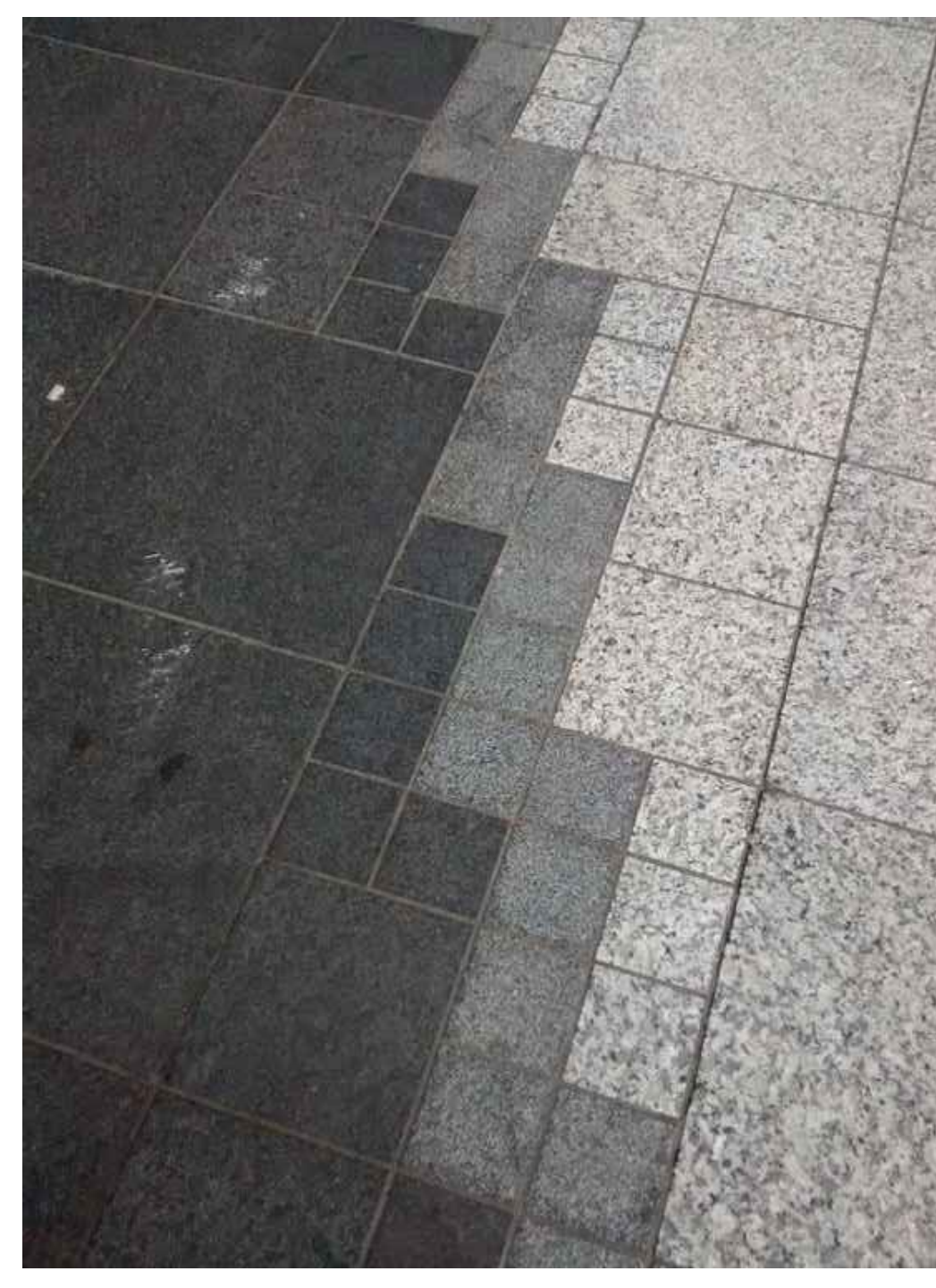
1 Concrete Walkway
 1/2"=1'-0"

2 Concrete Pavers
 1"=1'-0"

3 Bike Rack Example
 1"=1'-0"



LEGEND
 [Color A] 30% COLOR A
 [Color B] 70% COLOR B



PRODUCT INFORMATION
 MODEL: FLOAT BENCH, OR APPROVED EQUAL
 QUANTITY: PER PLAN
 MANUFACTURER: FORMS & SURFACES 30 PINE STREET PITTSBURGH, PA 15223 FORMS-SURFACES.COM
 COLOR & FINISH: TBD



4 Concrete Pavers
 1/2"=1'-0"

5 Bench Type 1 Example - Park Bench
 NTS

REVISIONS	DATE

EvolutionLabs North Bethesda
 1st ELECTION DISTRICT
 MONTGOMERY COUNTY, MARYLAND
 WSSC GRID: 215NW06
 TAX MAP: GQ62

82015001B

PROFESSIONAL SEAL



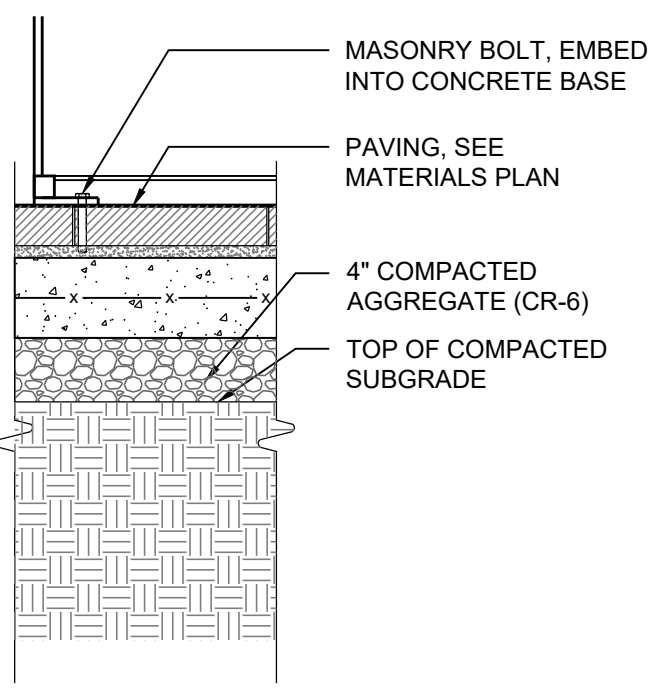
THE INFORMATION, DESIGN AND CONTENT OF THESE DRAWINGS OR DOCUMENTS ARE PROPRIETARY TO VIKI MARYLAND, LLC AND CONSTITUTE ITS PROPRIETARY INTELLECTUAL PROPERTY. THESE DRAWINGS AND/OR DOCUMENTS MUST NOT BE REPRODUCED, SHARED, COPIED, DIGITALLY CONVERTED, MODIFIED OR USED FOR ANY PURPOSE, IN ANY FORMAT, WITHOUT PRIOR WRITTEN AUTHORIZATION FROM VIKI MARYLAND, LLC. VIOLATION MAY RESULT IN PROSECUTION. ONLY APPROVED, SIGNED AND SEALED PLANS OR DRAWINGS MAY BE UTILIZED FOR CONSTRUCTION PURPOSES.

© 2023 VIKI MARYLAND, LLC

DRAWN BY: MO/RJ
 DESIGNED BY: PG/RJ
 DATE ISSUED: 12/21/2022

VIKA PROJECT **VM1614**
 DRAWING NO.

SHEET NO. **L2.00**

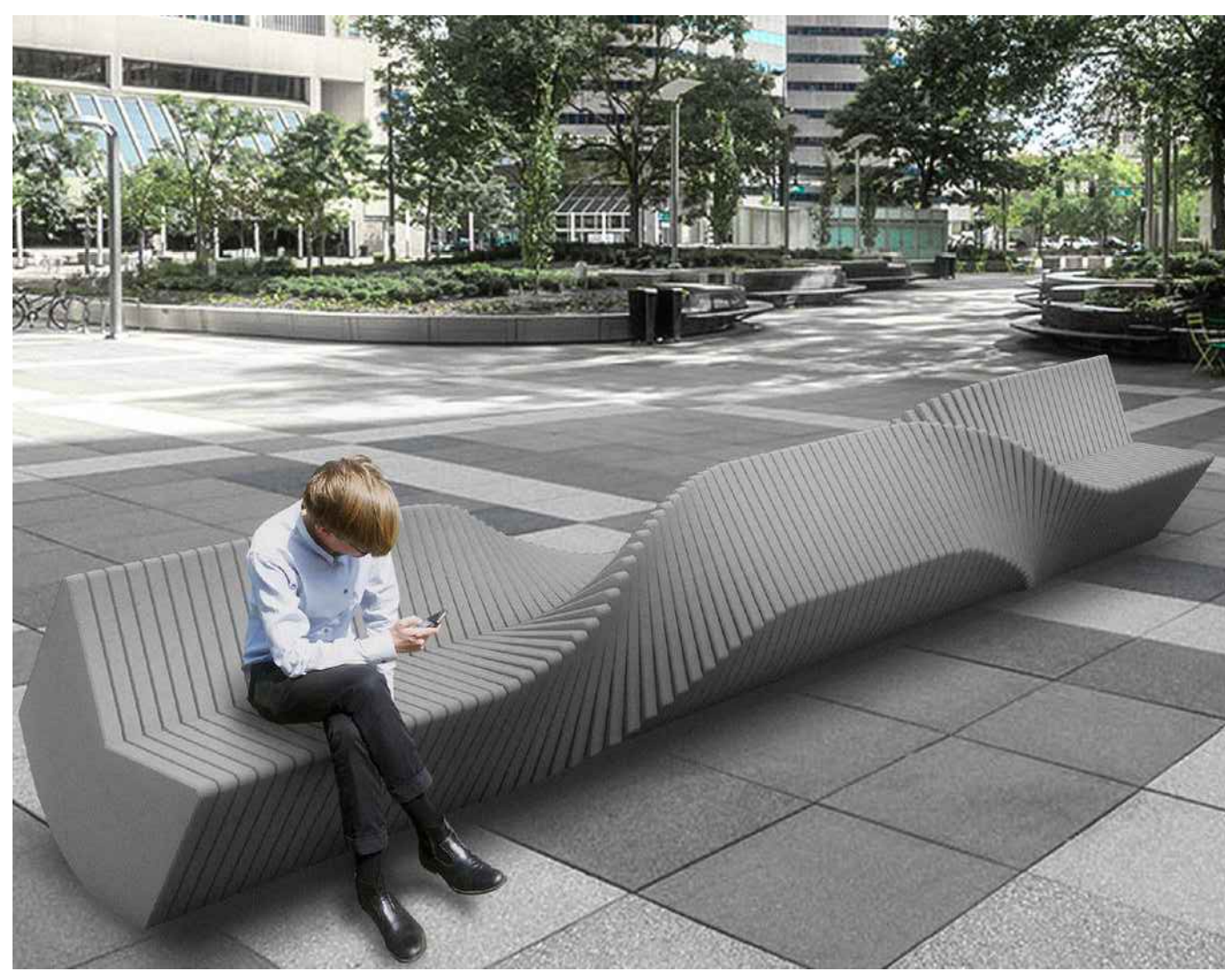


PRODUCT INFORMATION
 MODEL: MULTIPLICITY LITTER & RECYCLING RECEPTACLE, OR APPROVED EQUAL
 QUANTITY: PER PLAN
 MANUFACTURER: LANDSCAPE FORMS INC. 431 LAWNDALE AVE. KALAMAZOO, MI 49048 LANDSCAPEFORMS.COM
 COLOR & FINISH: OPEN IN S.S. WITH DIAMOND FINISH, OR APPROVED EQUAL

6 Trash Receptacle Example
 1"=1'-0"

"FOR LOCATION OF UTILITIES CALL 8-1-1 or 1-800-257-7777 OR LOG ON TO www.call811.com or http://www.msutility.net 48 HOURS IN ADVANCE OF ANY WORK IN THIS VICINITY"

The contractor shall verify all public utility companies file information received in the state of Maryland prior to any excavation. The contractor is responsible for compliance with requirements of Chapter 25B of the Montgomery County Code.



PRODUCT INFORMATION
 MODEL: BANCA VIRO, OR APPROVED EQUAL
 QUANTITY: PER PLAN
 MANUFACTURER: KONKRETUS LA ESTRELLA - ANTIOQUIA COLOMBIA, SA KONKRETUS.CO
 COLOR & FINISH: CONCRETE, COLOR TBD., OR APPROVED EQUAL

7 Bench Type 2 Example - Sculpture Bench
 NTS



PRODUCT INFORMATION
 MODEL: HELIO M30K4 SECURITY BOLLARD, SERIES 900, OR APPROVED EQUAL
 QUANTITY: PER PLAN
 MANUFACTURER: FORMS & SURFACES 30 PINE STREET PITTSBURGH, PA 15223 FORMS-SURFACES.COM
 COLOR & FINISH: SS

8 Bollard Example
 NTS

DEVELOPER'S CERTIFICATE
 The undersigned agrees to execute all the features of the Site Plan Approval No. 82015001B, including Approval Conditions, Development Program and Certified Site Plan.

Developer's Name: xxxxxx
 Contact Person: xxxxxx
 Address: xxxxxx
 Phone: xxxxxx
 Signature: _____ Date: _____