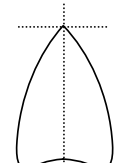
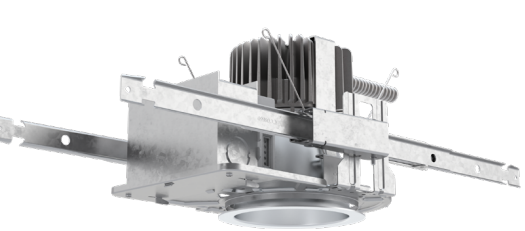


Certified Site Plan
File No.
Montgomery County Planning Board Approval
Chair or Designer:
Date:

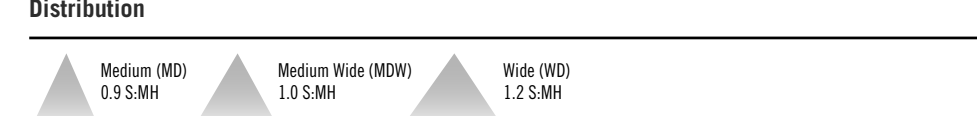


Luminaire Type:
Catalog Number:



General Illumination Round Downlight

- Feature Set
• Bounding Ray™ optical design
• Unidirectional optics mechanically attach the light engine to the lower reflector to complete optical alignment.
• 45° cutoff to source and source image.
• Fully serviceable and upgradeable lensed LED light engine
• 70% lumen maintenance at 60,000 hours
• 2.5 MacAdam Ellipse; 85 CRI typical, 90+ CRI optional
• Features an reflector, covered ceiling

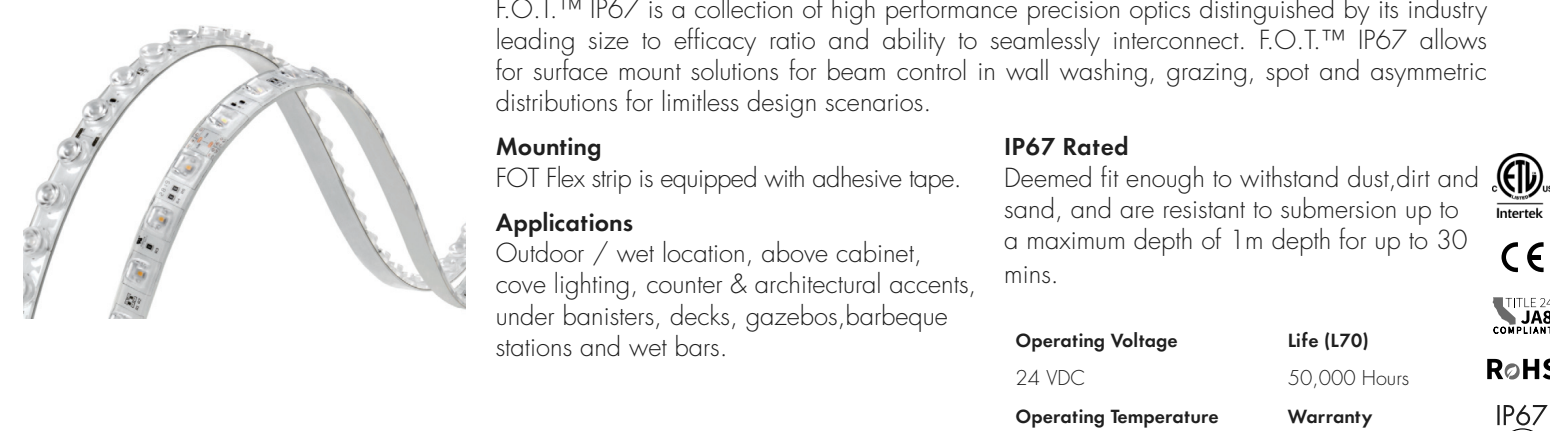


Superior Performance* table with columns for Nominal Lumen, Delivered Lumen, Voltage, and Lenses.

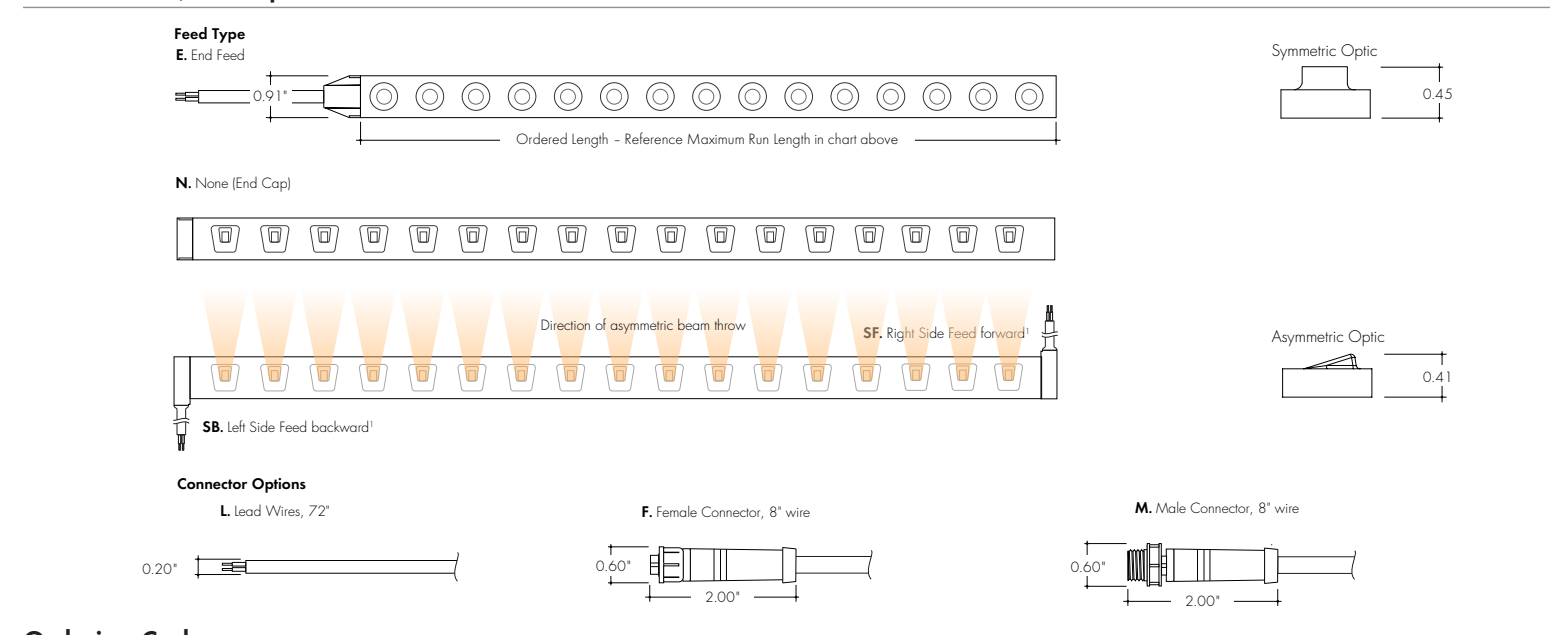


FIXTURE TYPE C1
NOT TO SCALE

F.O.T.™ Flex Focus Optics Technology (F.O.T.™)



Technical Information table for F.O.T.™ Flex, including Output Options, Average Power Consumption, and Ordering Information.



Ordering Code table with columns for Model, Optics, Output, Length, and Finish.

FOR LOCATION OF UTILITIES CALL 8-1-1 or 1-800-257-7777 OR LOG ON TO www.call11.com... WORK IN THIS VICINITY™



Table with columns for Series, Color Temperature, Nominal Lumen Values, Reflector & Flange Color, Trim Style, Finish, Distribution, and Voltage.

Table with columns for Driver, Central Interface, Emergency Options, and Options.

ACCESSORIES — order as separate catalog numbers (shipped separately)
SCM4 Sloped ceiling adaptor. Degree of slope must be specified (50, 100, 150, 200, 250, 300). Ex. SCM4 100. Refer to TECH-130.
CTH9V 4" Aperture ceiling thickness adaptor (stands mounting frame to accommodate ceiling thickness up to 3/4").
CTM4 4" 4" Aperture ceiling thickness adaptor (stands mounting frame to accommodate ceiling thickness up to 3/4"). For use with CDMW/DM series, EDRB, CP or i-Tune options.
ISD BC 0-10V wallbox dimmer. Refer to ISD-SC.

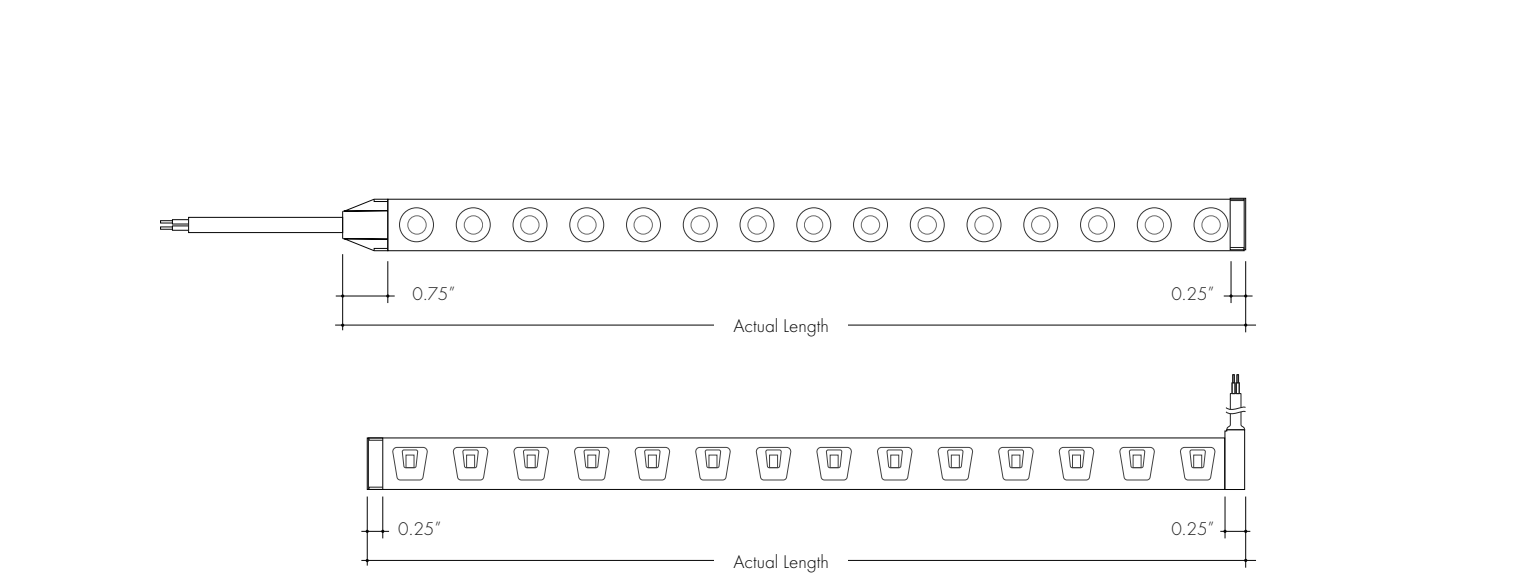
- ORDERING NOTES
1. Not available with finishes.
2. Replace with applicable RAL number and finish when ready to order. See RAL BROCHURE.
3. Not available with emergency battery pack options.

FIXTURE TYPE C1
NOT TO SCALE

F.O.T.™ Flex Focus Optics Technology (F.O.T.™)

Power Consumption table with columns for Nominal Length, W, Actual Length, and various power and efficiency metrics.

Table with columns for CCT, Multiplier, CRI, Rf, Rg, and Rb.



Ordering Code table for F.O.T.™ Flex.

FOR LOCATION OF UTILITIES CALL 8-1-1 or 1-800-257-7777 OR LOG ON TO www.call11.com... WORK IN THIS VICINITY™

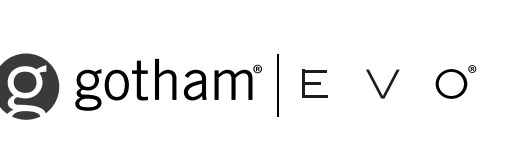


Table with columns for Series, Color Temperature, Nominal Lumen Values, Reflector & Flange Color, Trim Style, Finish, Distribution, and Voltage.

Table with columns for Driver, Central Interface, Emergency Options, and Options.

ACCESSORIES — order as separate catalog numbers (shipped separately)
SCM4 Sloped ceiling adaptor. Degree of slope must be specified (50, 100, 150, 200, 250, 300). Ex. SCM4 100. Refer to TECH-130.
CTH9V 4" Aperture ceiling thickness adaptor (stands mounting frame to accommodate ceiling thickness up to 3/4").
CTM4 4" 4" Aperture ceiling thickness adaptor (stands mounting frame to accommodate ceiling thickness up to 3/4"). For use with CDMW/DM series, EDRB, CP or i-Tune options.
ISD BC 0-10V wallbox dimmer. Refer to ISD-SC.

- ORDERING NOTES
1. Not available with finishes.
2. Replace with applicable RAL number and finish when ready to order. See RAL BROCHURE.
3. Not available with emergency battery pack options.

FIXTURE TYPE F1
NOT TO SCALE

KM Channel Extruded aluminum profile

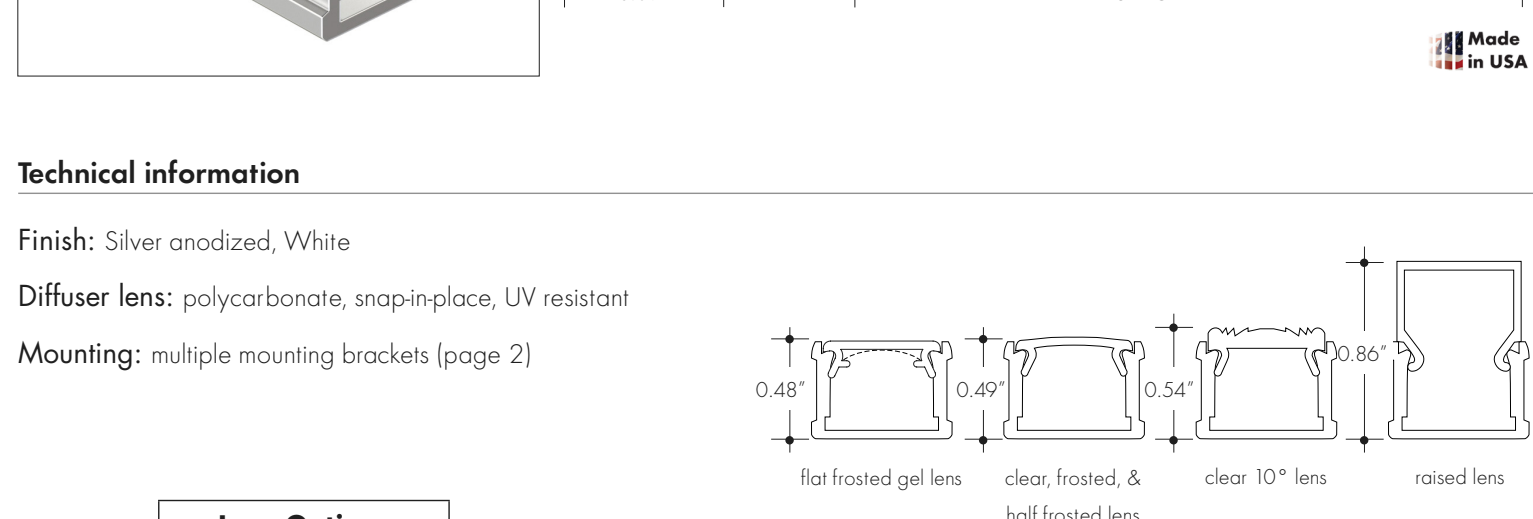
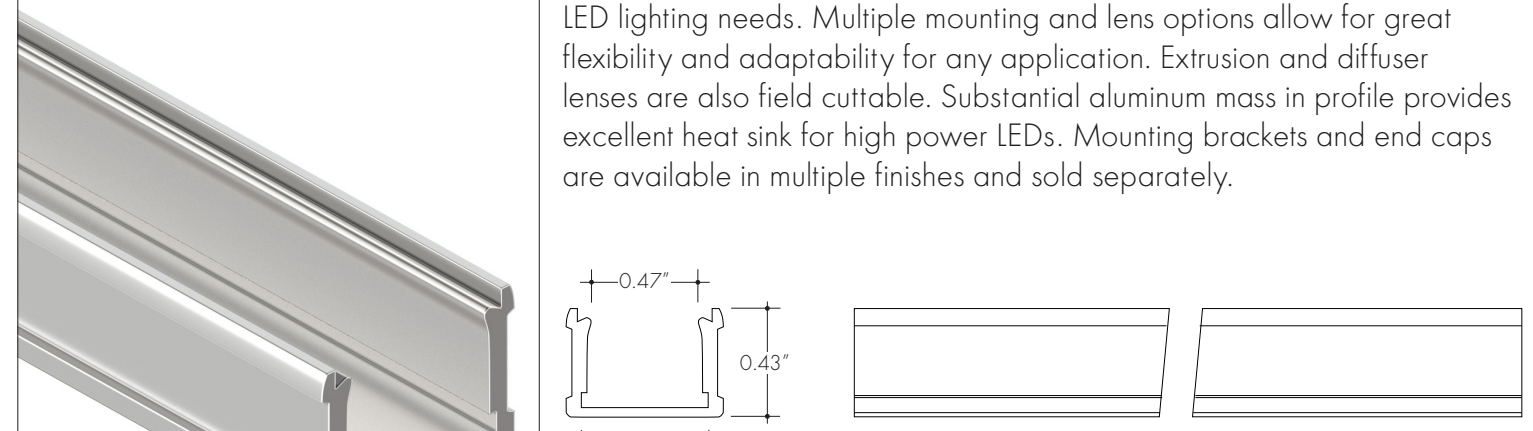


Table with columns for MODEL, LENGTH, LENS, and FINISH.

NOTE: For Channels and Lenses over 90", incremental shipping charges will apply

FOR LOCATION OF UTILITIES CALL 8-1-1 or 1-800-257-7777 OR LOG ON TO www.call11.com... WORK IN THIS VICINITY™



Table with columns for Series, Color Temperature, Nominal Lumen Values, Reflector & Flange Color, Trim Style, Finish, Distribution, and Voltage.

Table with columns for Driver, Central Interface, Emergency Options, and Options.

ACCESSORIES — order as separate catalog numbers (shipped separately)
SCM4 Sloped ceiling adaptor. Degree of slope must be specified (50, 100, 150, 200, 250, 300). Ex. SCM4 100. Refer to TECH-130.
CTH9V 4" Aperture ceiling thickness adaptor (stands mounting frame to accommodate ceiling thickness up to 3/4").
CTM4 4" 4" Aperture ceiling thickness adaptor (stands mounting frame to accommodate ceiling thickness up to 3/4"). For use with CDMW/DM series, EDRB, CP or i-Tune options.
ISD BC 0-10V wallbox dimmer. Refer to ISD-SC.

- ORDERING NOTES
1. Not available with finishes.
2. Replace with applicable RAL number and finish when ready to order. See RAL BROCHURE.
3. Not available with emergency battery pack options.

FIXTURE TYPE F1
NOT TO SCALE

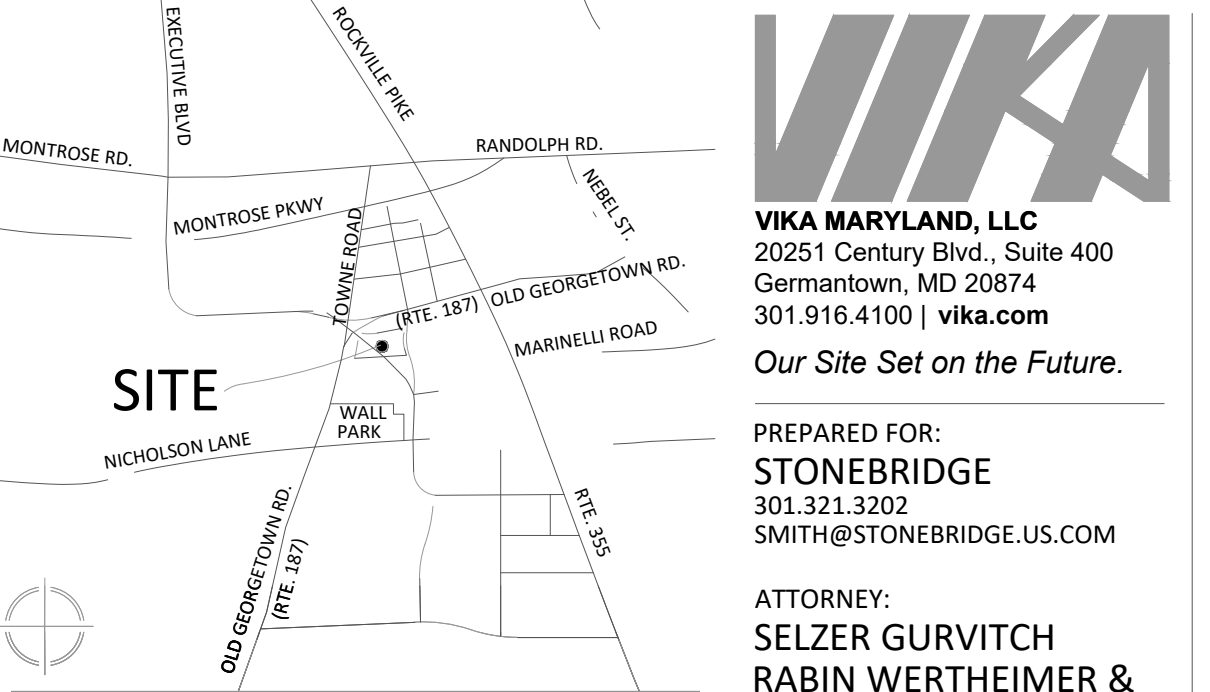
KM Channel Extruded aluminum profile



Table with columns for MODEL, LENGTH, LENS, and FINISH.

NOTE: For Channels and Lenses over 90", incremental shipping charges will apply

FOR LOCATION OF UTILITIES CALL 8-1-1 or 1-800-257-7777 OR LOG ON TO www.call11.com... WORK IN THIS VICINITY™



VICINITY MAP SCALE: 1" = 2,000'

CATALOG NUMBER LOGIC
LA - Lassen
SERIES
LAMP TYPE
0 - By Others
520 - 11W/45DEG/2700K

TRAFFIC ENGINEER :
WELLS + ASSOCIATES
301.971.3415
NANCY RANDALL

LANDSCAPE ARCHITECT :
MAHAN RYKIEL ASSOCIATES, INC.
410.900.1626
JINGPENNG GU, PLA, ASLA

DRY UTILITY CONSULTANT :
RICHTER & ASSOCIATES
301.548.7475
JOHN O'BOYLE

CIVIL ENGINEER :
VIA MARYLAND, LLC
301.916.4100
JASON EVANS, P.E.

LAND PLANNER :
VIA MARYLAND, LLC
301.916.4100
IAN P. DUKE

REVISIONS table with columns for REVISIONS and DATE.

EvolutionLabs North
Bethesda
1st ELECTION DISTRICT
MONTGOMERY COUNTY, MARYLAND
WSSC GRID: 215NW06
TAX MAP: GQ62
82015001B

PROFESSIONAL SEAL
I HEREBY CERTIFY THAT THESE DOCUMENTS WERE PREPARED OR APPROVED BY ME AND THAT I AM A duly licensed PROFESSIONAL ENGINEER UNDER THE LAWS OF THE STATE OF MARYLAND, LICENSE NO. [blank] EXPIRATION DATE: [blank]

DEVELOPER'S CERTIFICATE
THE UNDERSIGNED AGREES TO EXECUTE ALL THE FEATURES OF THE SITE PLAN APPROVED AND ADDED TO THE RECORD DRAWING BY THE COUNTY OF MONTGOMERY, MARYLAND, INCLUDING BUT NOT LIMITED TO: [blank] MAINTENANCE, AND ALL OTHER APPLICABLE AGREEMENTS.

DEVELOPER'S NAME:
CONTACT PERSON OR OWNER:
ADDRESS:
PHONE & E-MAIL:
SIGNATURE:
VIA PROJECT VM1614
EC PROJECT 20210623
DRAWING LUMINAIRE NO. CUTSHEETS
SHEET NO. LL-03