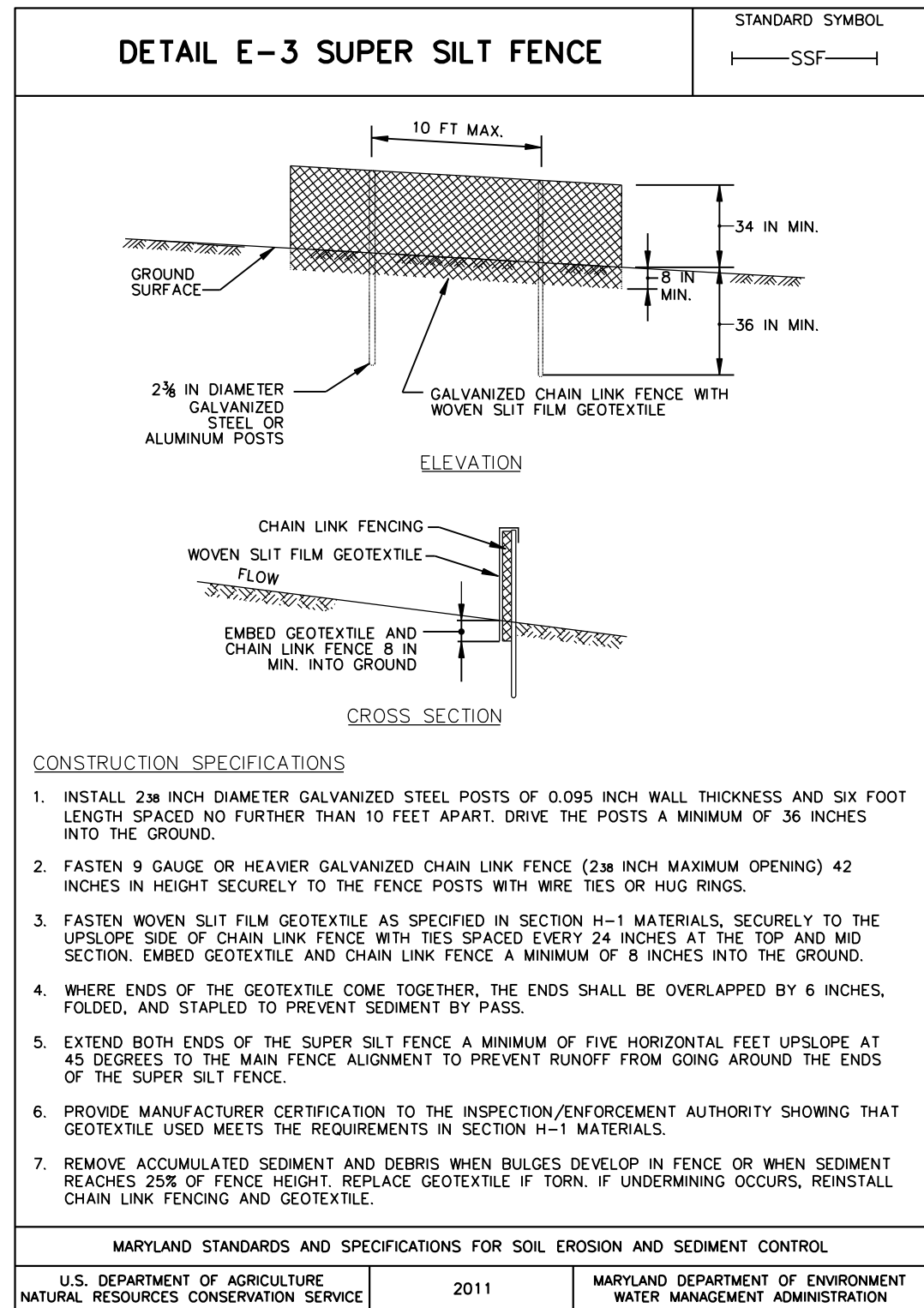
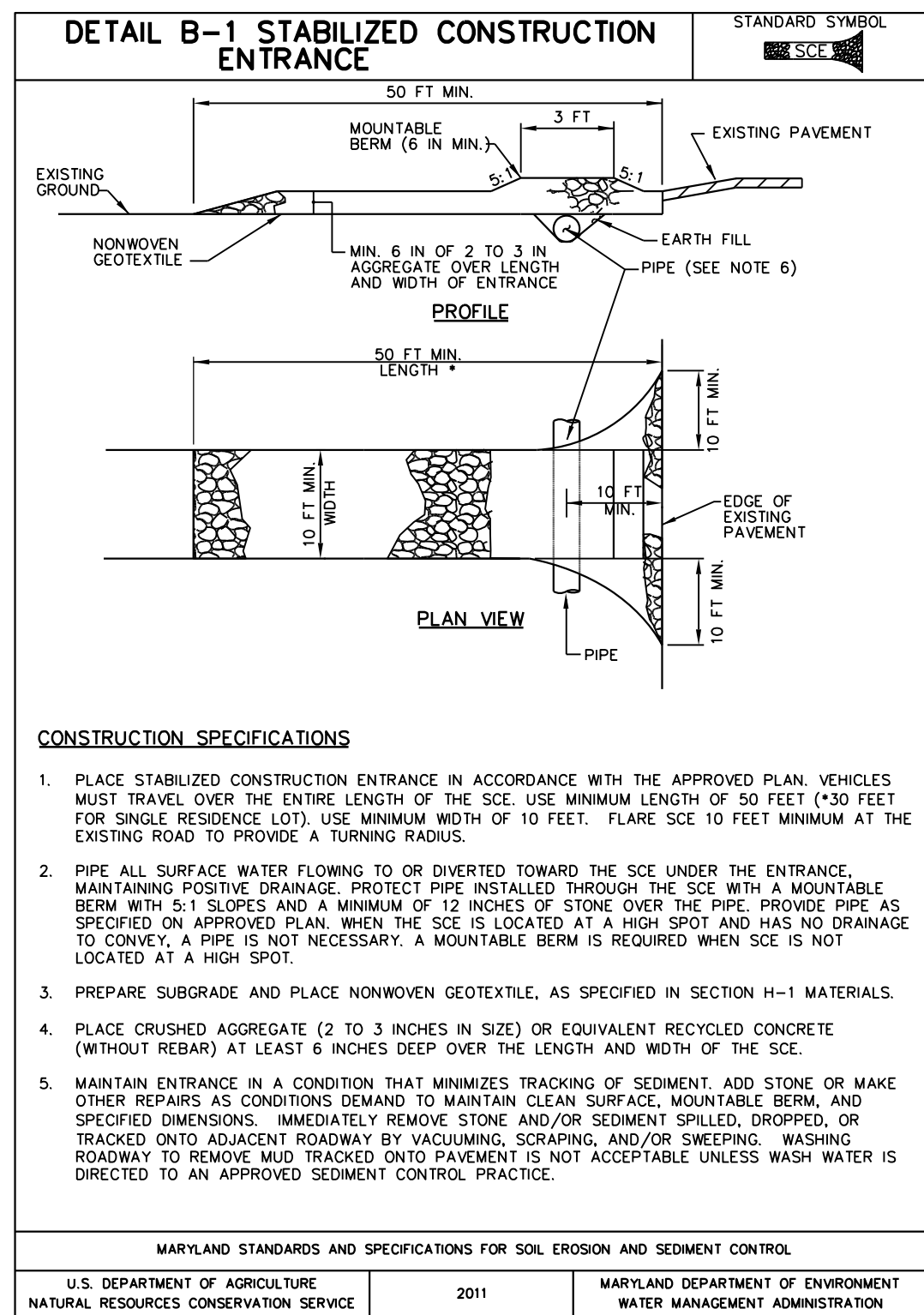
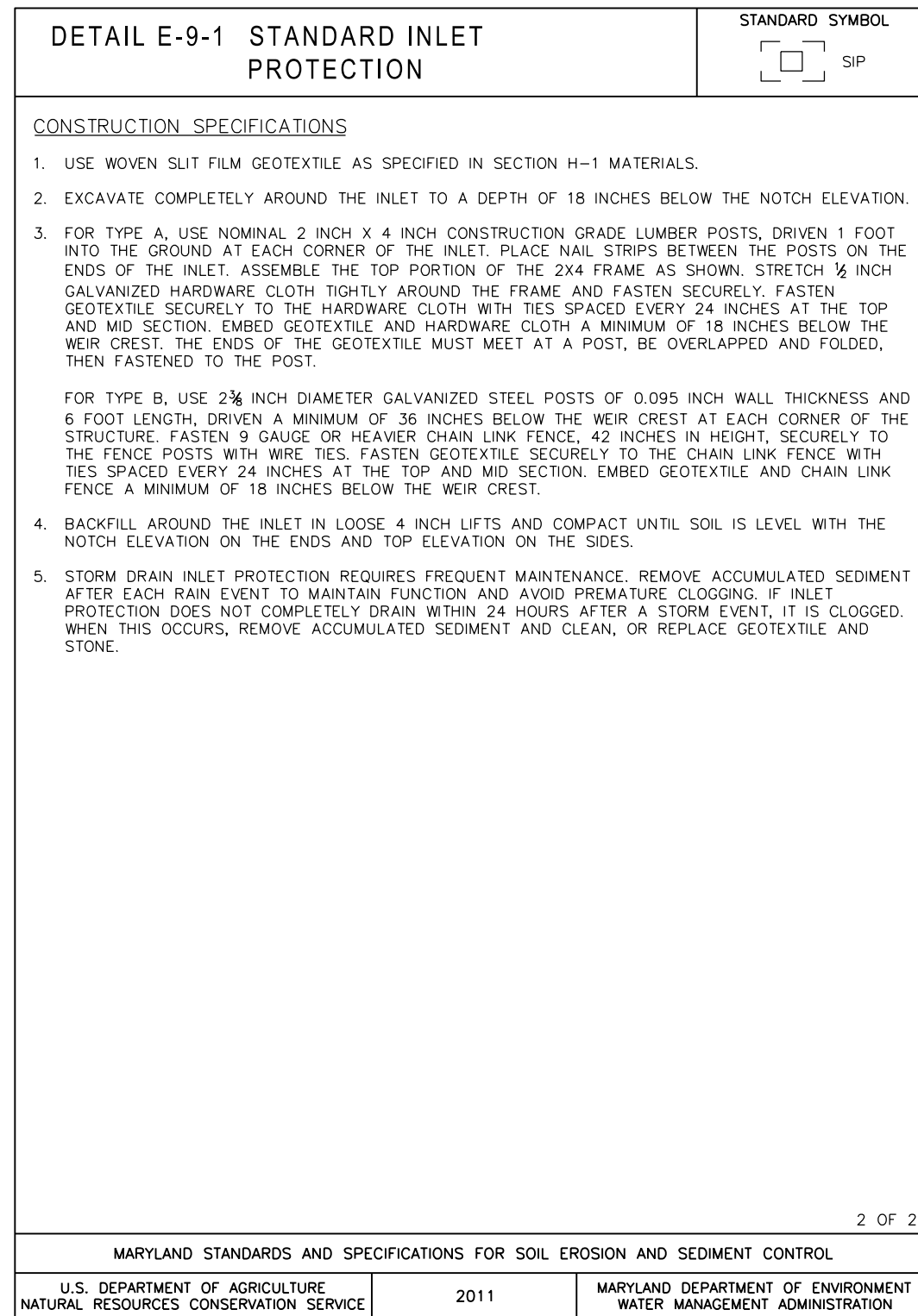
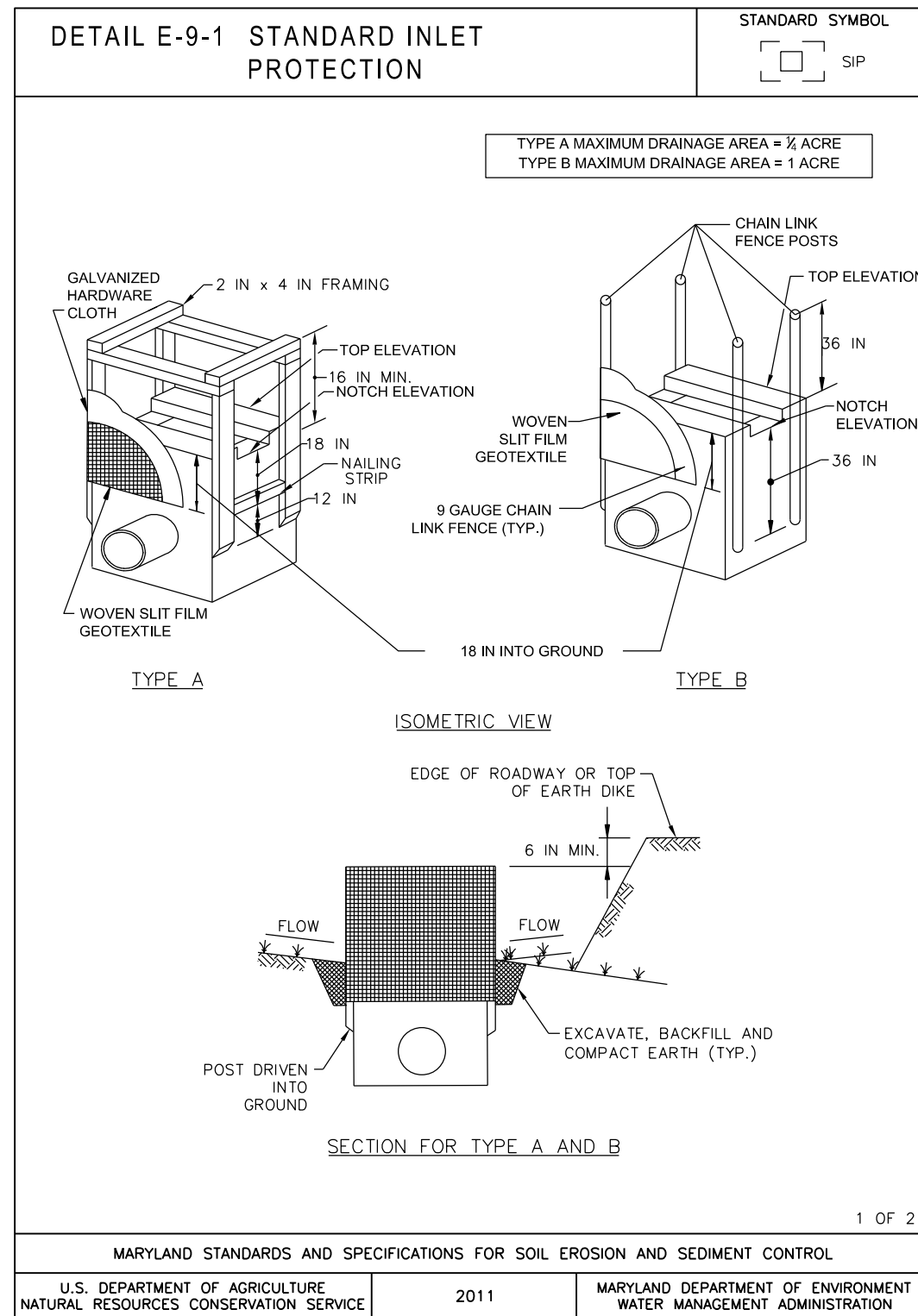


STANDARD EROSION AND SEDIMENT CONTROL NOTES

- The permittee shall notify the Department of Permitting Services (DPS) forty-eight (48) hours before commencing any land disturbing activity and, unless waived by the Department, shall be required to hold a pre-construction meeting between them or their representative, their engineer and an authorized representative of the Department.
- The permittee must obtain inspection and approval by DPS at the following points:
 - At the required pre-construction meeting.
 - Following installation of sediment control measures and prior to any other land disturbing activity.
 - During the installation of a sediment basin or stormwater management structure at the required inspection points (see Inspection Checklist on plan). Notification prior to commencing construction is mandatory.
 - Prior to removal or modification of any sediment control structure(s).
 - Prior to final acceptance.
- The permittee shall construct all erosion and sediment control measures per the approved plan and construction sequence, shall have them inspected and approved by the Department prior to beginning any other land disturbances, shall ensure that all runoff from disturbed areas is directed to the sediment control devices, and shall not remove any erosion or sediment control measure without prior permission from the Department.
- The permittee shall protect all points of construction ingress and egress to prevent the deposition of materials onto traversed public thoroughfare(s). All materials deposited onto public thoroughfare(s) shall be removed immediately.
- The permittee shall inspect periodically and maintain continuously in effective operating condition, all erosion and sediment control measures until such time as they are removed with prior permission from the Department. The permittee is responsible for immediately repairing or replacing any sediment control measures which have been damaged or removed by the permittee or any other person.
- Following initial soil disturbance or re-disturbance, permanent or temporary stabilization must be completed within:
 - Three (3) calendar days as to the surface of all perimeter dikes, swales, ditches, perimeter slopes and all slopes steeper than 3 horizontal to 1 vertical (3:1); and
 - Seven (7) calendar days as to all other disturbed or graded areas on the project site not under active grading. All areas disturbed outside of the perimeter sediment control system must be minimized and stabilized immediately. Maintenance must be performed as necessary to ensure continued stabilization.
- The permittee shall apply sod, seed, and anchored straw mulch, or other approved stabilization measures to all disturbed areas within seven (7) calendar days after stripping and grading activities have ceased on that area. Maintenance shall be performed as necessary to ensure continued stabilization. Active construction areas such as borrow or stockpile areas, roadway improvements, and areas within fifty (50) feet of a building under construction may be exempt from this requirement, provided that erosion and sediment control measures are installed and maintained to protect those areas.
- Prior to removal of sediment control measures, the permittee shall stabilize all contributory disturbed areas with required soil amendments and topsoil, using sod or an approved permanent seed mixture and an approved anchored mulch. Wood fiber mulch may only be used in seeding season when the slope does not exceed 10% and grading has been done to promote sheet flow drainage. Areas brought to finished grade during the seeding season shall be permanently stabilized within seven (7) calendar days of establishment. When property is brought to finished grade during the months of November through grade during the months of November through February, and permanent stabilization is found to be impractical, an approved temporary seed and straw anchored mulch shall be applied to disturbed areas. The final permanent stabilization of such property shall be completed prior to the following April 15.
- The site permit, work, materials, approved SC/SM plans, and test reports shall be available at the site for inspection by duly authorized officials of Montgomery County.
- Surface drainage flows over unstabilized cut and fill slopes shall be controlled by either preventing drainage flows from traversing the slopes or by installing mechanical devices to lower the water down slope without causing erosion. Dikes shall be installed and maintained at the top of cut or fill slopes until the slope and drainage area to it are fully stabilized, at which time they must be removed and final grading done to promote sheet flow drainage. Mechanical devices must be provided at points of concentrated flow where erosion is likely to occur.
- Permanent swales or other points of concentrated water flow shall be stabilized within 3 calendar days of establishment with sod or seed with an approved erosion control matting or by other approved stabilization measures.
- Sediment control devices shall be removed, with permission of the Department, within thirty (30) calendar days following establishment of permanent stabilization in all contributory drainage areas. Stormwater management structures used temporarily for sediment control shall be converted to the permanent configuration within this time period as well.
- No permanent cut or fill slope with a gradient steeper than 3:1 will be permitted in lawn maintenance areas or on residential lots. A slope gradient of up to 2:1 will be permitted in non-maintenance areas provided that those areas are indicated on the erosion and sediment control plan with a low-maintenance ground cover specified for permanent stabilization. Slope gradient steeper than 2:1 will not be permitted with vegetative stabilization.
- The permittee shall install a splash block at the bottom of each downspout unless the downspout is connected by a drain line to an acceptable outlet.
- For finished grading, the permittee shall provide adequate gradients so as to prevent water from standing on the surface of lawns more than twenty-four (24) hours after the end of a rainfall, except in designated drainage courses and swale flow areas, which may drain as long as forty-eight (48) hours after the end of a rainfall.
- Sediment traps or basins are not permitted within 20 feet of a building which is existing or under construction. No building may be constructed within 20 feet of a sediment trap or basin.
- All inlets in non-sump areas shall have asphalt berms installed at the time of base paving establishment.
- The sediment control inspector has the option of requiring additional sediment control measures, as deemed necessary.
- All trap elevations are relative to the outlet elevation, which must be on existing undisturbed ground.
- Vegetative stabilization shall be performed in accordance with the Standards and Specifications for Soil Erosion and Sediment Control.

- Sediment trap(s)/basin(s) shall be cleaned out and restored to the original dimensions when sediment has accumulated to the point of one-half (1/2) the wet storage depth of the trap/basin (1/4 the wet storage depth for ST-III) or when required by the sediment control inspector.
 - Sediment removed from traps/basins shall be placed and stabilized in approved areas, but not within a floodplain.
 - All sediment basins and traps must be surrounded with a welded wire safety fence. The fence must be at least 42 inches high, have posts spaced no farther apart than 8 feet, have mesh openings no greater than two inches in width and four inches in height, with a minimum of 14 gauge wire. Safety fence must be maintained in good condition at all times.
 - No excavation in the areas of existing utilities is permitted unless their location has been determined. Call "Miss Utility" at 1-800-257-7777, 48 hours prior to the start of work.
 - Off-site spoil or borrow areas must have prior approval by DPS.
 - Sediment trap/basin dewatering for cleanout or repair may only be done with the DPS inspector's permission. The inspector must approve the dewatering method for each application. The following methods may be considered:
 - Pump discharge may be directed to another on-site sediment trap or basin, provided it is of sufficient volume and the pump intake is floated to prevent agitation or suction of deposited sediments; or
 - the pump intake may utilize a Removable Pumping Station and must discharge into an undisturbed area through a non-erosive outlet; or
 - the pump intake may be floated and discharge into a Dirt Bag (12 oz. non-woven fabric), or approved equivalent, located in an undisturbed buffer area.
- Remember: Dewatering operation and method must have prior approval by the DPS inspector.
- The permittee must notify the Department of all utility construction activities within the permitted limits of disturbance prior to the commencement of those activities.
 - Topsoil must be applied to all pervious areas within the limits of disturbance prior to permanent stabilization in accordance with MDE "Standards and Specifications for Soil Preparation Topsoiling, and Soil Amendments."



ENDESCO, INC.
 ENGINEERS, DESIGNERS & CONSULTANTS

16245 SHADY GROVE RD
 SUITE 336
 ROCKVILLE, MD 20850
 TEL: (301) 987-8776
 FAX: (301) 987-8777

PT LOT 1, LOTS 2 AND 3
 RUBY SENIOR HOMES

MONTGOMERY COUNTY, MARYLAND

NO.	DATE	REVISIONS	
		DESCRIPTION	
1.			
2.			
3.			
4.			

DATE	TITLE	DRAWN:	DESIGNED:	CHECKED:
JUN 2024	ESC DETAIL	GJ	GJ	KH
SCALE NTS				
SHEET				
CPP-5				

PROFESSIONAL CERTIFICATION

I HEREBY CERTIFY THAT THESE DOCUMENTS WERE PREPARED OR APPROVED BY ME, AND THAT I AM A DULY LICENSED PROFESSIONAL ENGINEER UNDER THE LAWS OF THE STATE OF MARYLAND, LICENSED NO. 23093, EXPIRATION DATE 05/06/2025

