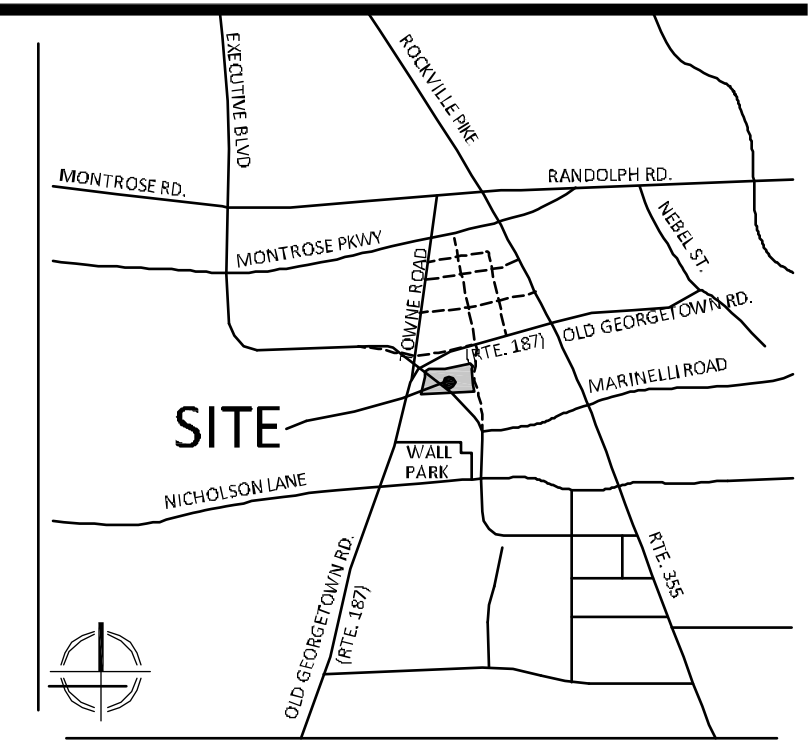


E-FILE STAMP



GABLES WHITE FLINT

Rockville, Maryland

PREPARED FOR:
LG Georgetown LLC
8280 Greensboro Drive
Suite 605
McLean, VA 22102
703-919-9500
Jorgen Pardo

DESIGN CONSULTANTS

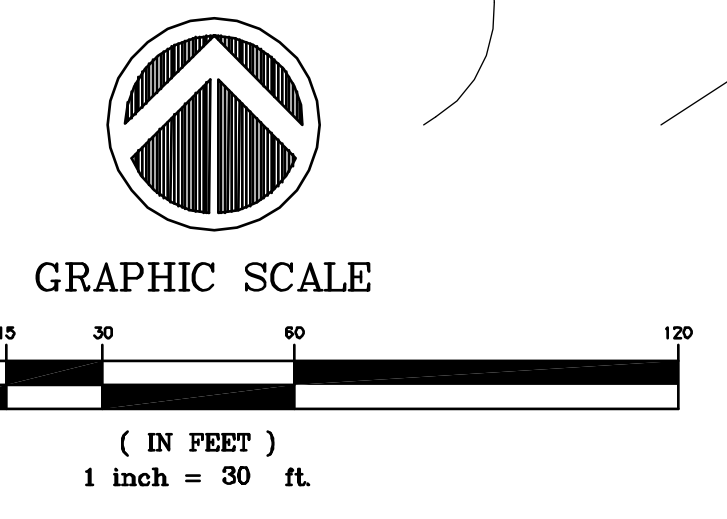
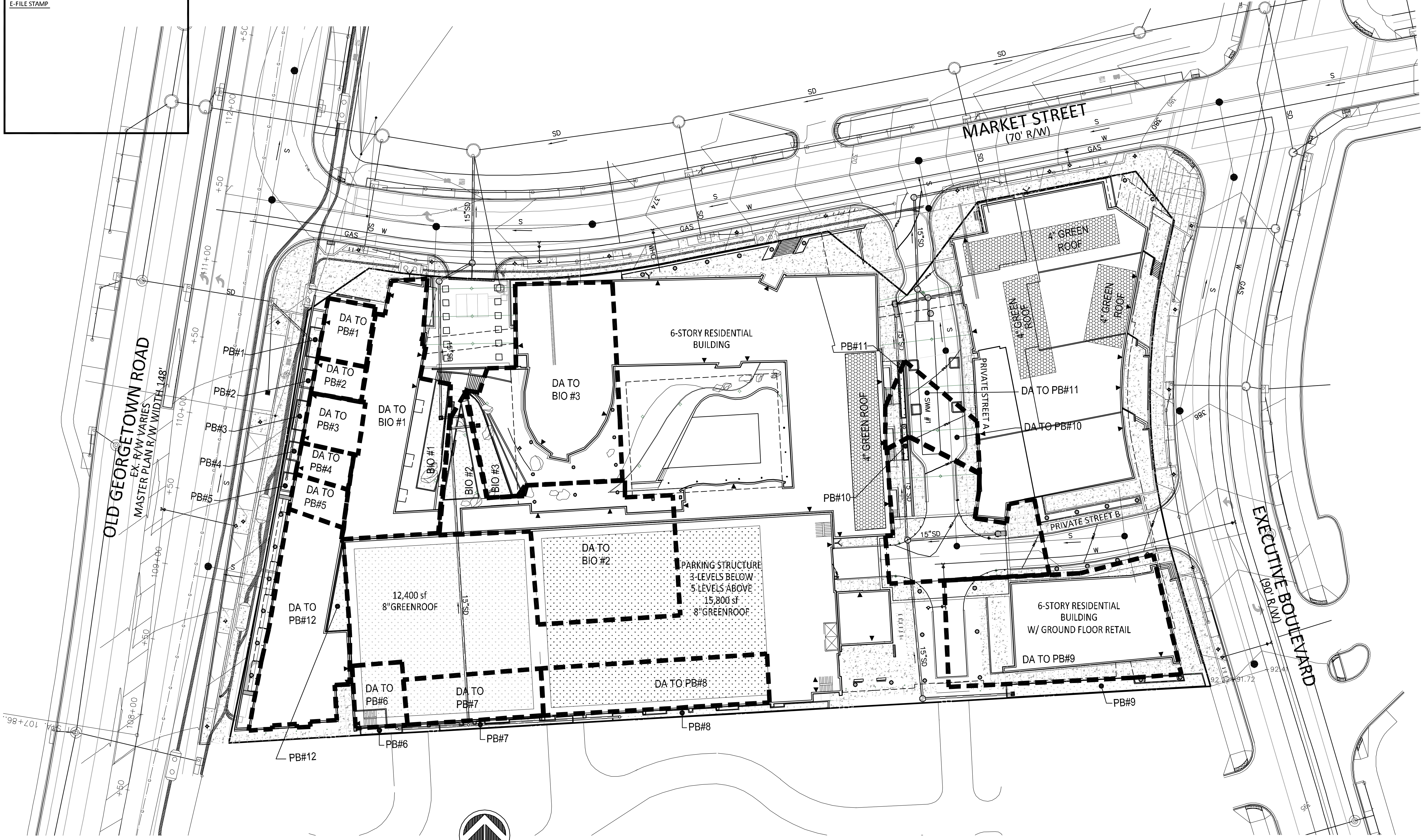
ARCHITECTS
Torti Gallas & Partners
1300 Spring Street
Suite 400
Silver Spring, MD 20910
301-558-4800
Danell Ashbury

LANDSCAPE ARCHITECTS
NAME
ADDRESS
PHONE
CONTACT

ATTORNEY
Linowes & Blocher
7200 Wisconsin Avenue
Suite 800
Bethesda, MD 20814
301-654-9504
Stephen Kaufman

TRAFFIC ENGINEER
Wells + Associates
9730 Georgia Avenue
Suite 200
Silver Spring, MD 20910
301-444-1333
Nancy Flandall

CIVIL ENGINEER
VIKA MARYLAND, LLC
20251 CENTURY BOULEVARD
SUITE 400
GERMANTOWN MD, 20874
301.918.4100
Ian P. Duke



- LEGEND:**
- PROP. SEWER
 - PROP. WATER
 - STORM DRAIN PIPE
 - DA TO MICRO-BIOFILTERS
 - SWM EASEMENT
 - PROPOSED MICRO-BIO RETENTION FACILITY
 - PROPOSED PLANTER-BOX STYLE MICRO-BIO RETENTION FACILITY
 - SWM VAULT/STORM FILTER-SWM-1
 - 8" GREEN ROOF
 - 4" GREEN ROOF

"FOR LOCATION OF UTILITIES CALL 81-1 or 1-800-257-7777 OR LOG ON TO www.call81.com or http://www.mnutility.net 48 HOURS IN ADVANCE OF ANY WORK IN THIS VICINITY"

PROFESSIONAL CERTIFICATION:
I HEREBY CERTIFY THAT THESE DOCUMENTS WERE PREPARED OR APPROVED BY ME, AND THAT I AM A DULY LICENSED PROFESSIONAL ENGINEER UNDER THE LAWS OF THE STATE OF MARYLAND.

SIGNATURE: JASON EVANS
PRINTED NAME: JASON EVANS
TITLE: ASSOCIATE

DATE: JANUARY 16, 2015
EXPIRATION DATE:

LICENSE No. 39885

DATE	REVISIONS

GABLES WHITE FLINT

PARCELS: P665, N610/P/O N628, & P/O EXECUTIVE BLVD R/W
1ST ELECTION DISTRICT
MONTGOMERY COUNTY, MARYLAND
WSSC GRID: 215 NW 06
TAX MAP: GQ62

MNCPPC # 120150010

CONCEPT SWM PLAN (PHASE 2)

DRAWN BY: DKM
DESIGNED BY: JPD
DATE ISSUED:

SHEET NO. CSWM-2