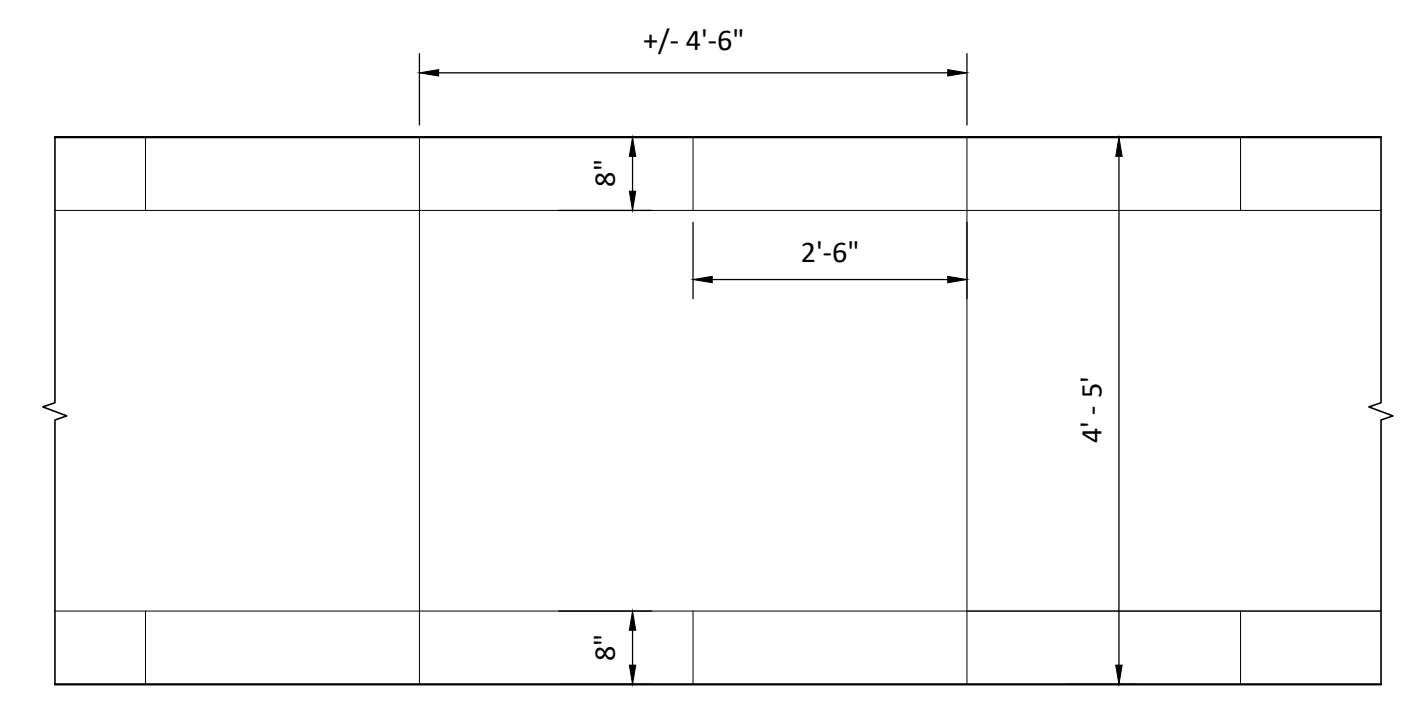
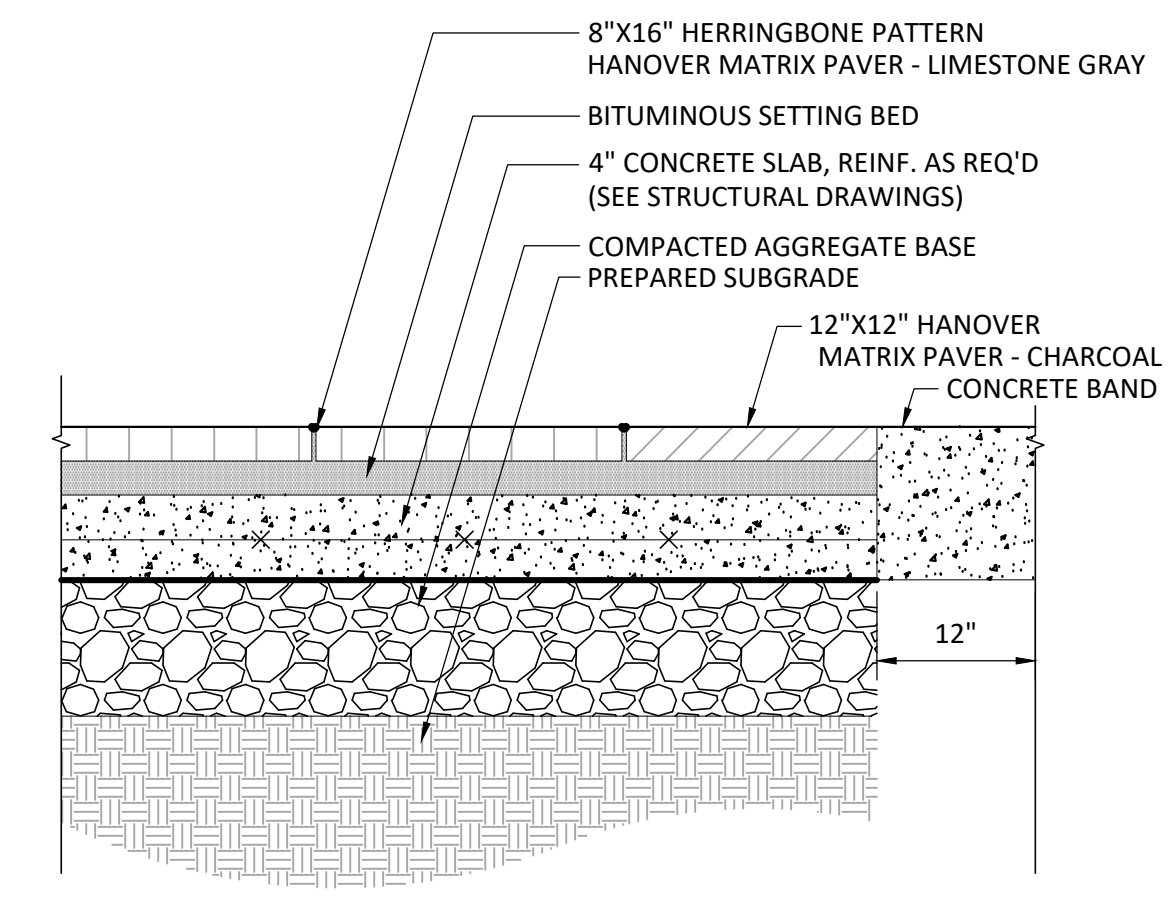


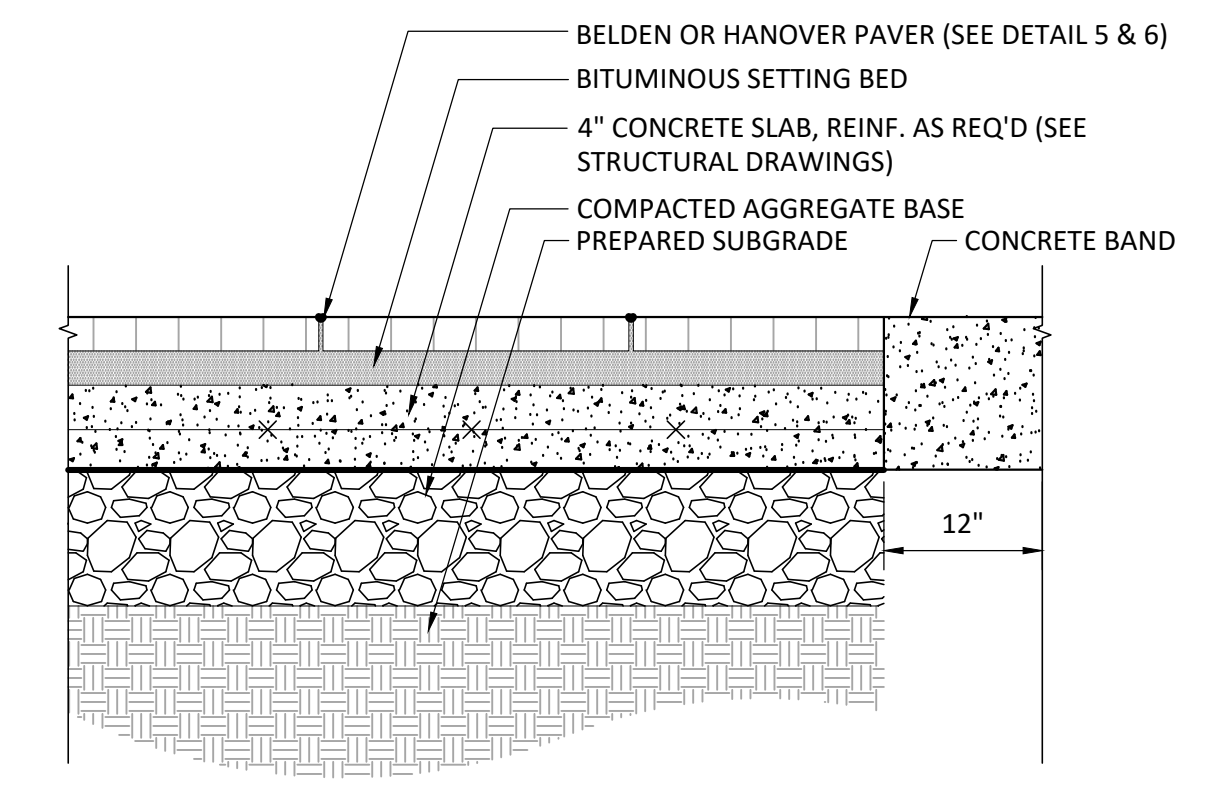
1 DETAIL SECTION - CONCRETE SIDEWALK
NOT TO SCALE



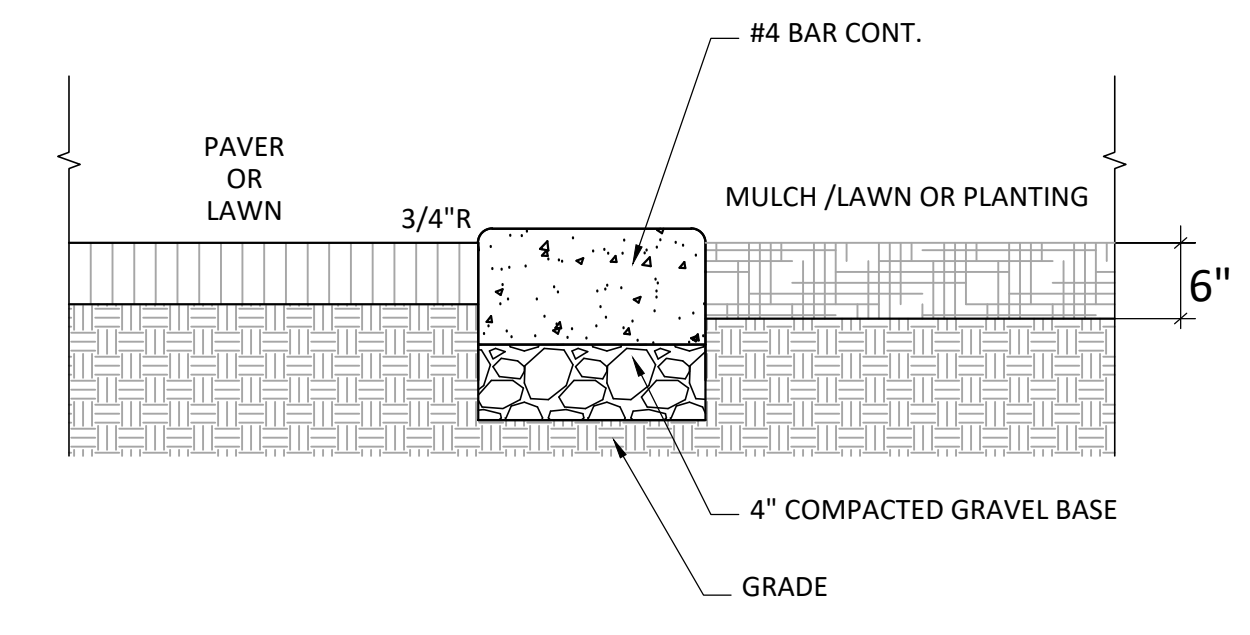
4 DETAIL PLAN - SIDEWALK SCORE JOINT
NOT TO SCALE



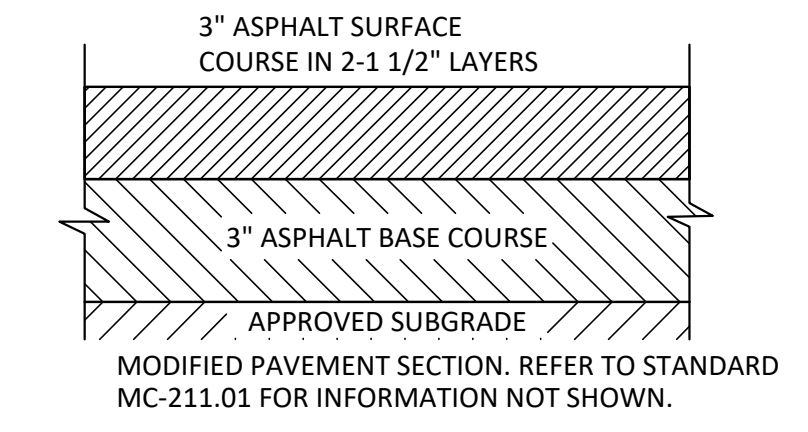
7 DETAIL SECTION - ACCENT PAVING
NOT TO SCALE



2 DETAIL SECTION - POCKET PARK PAVING
NOT TO SCALE

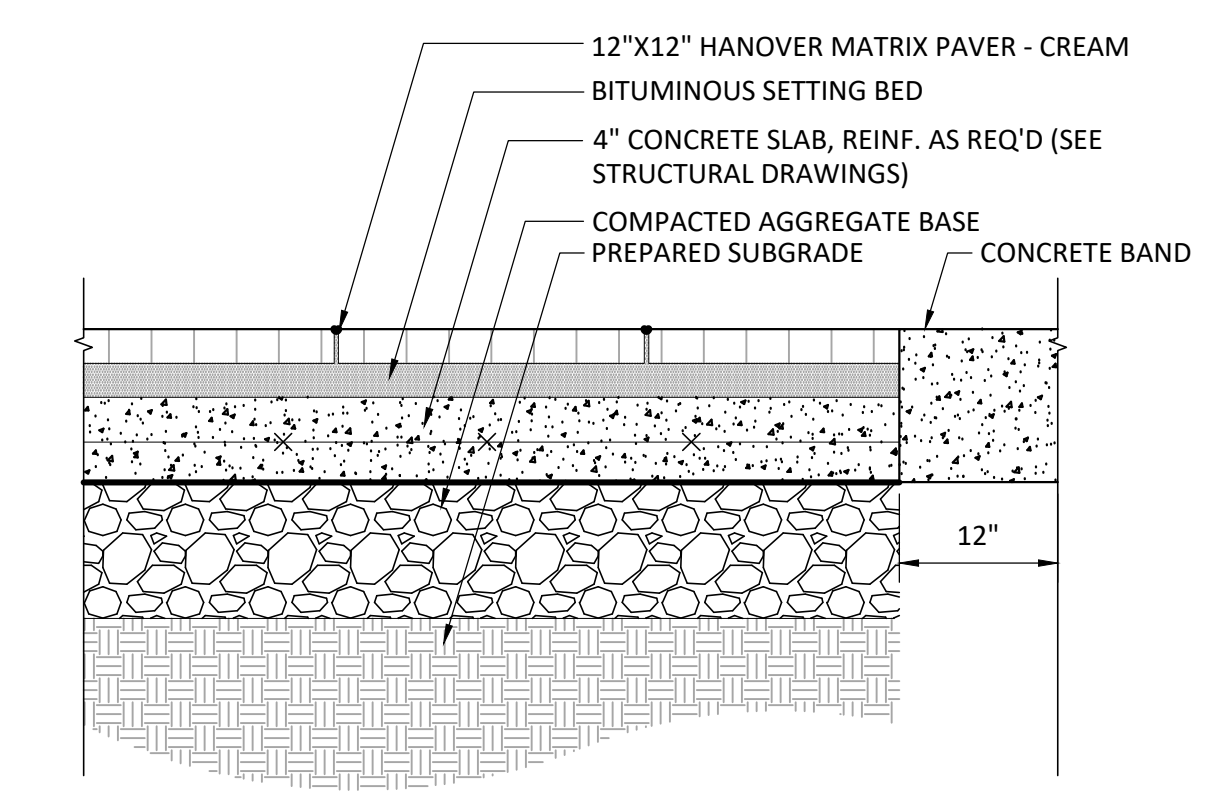


5 DETAIL SECTION - CONCRETE BED EDGE
NOT TO SCALE

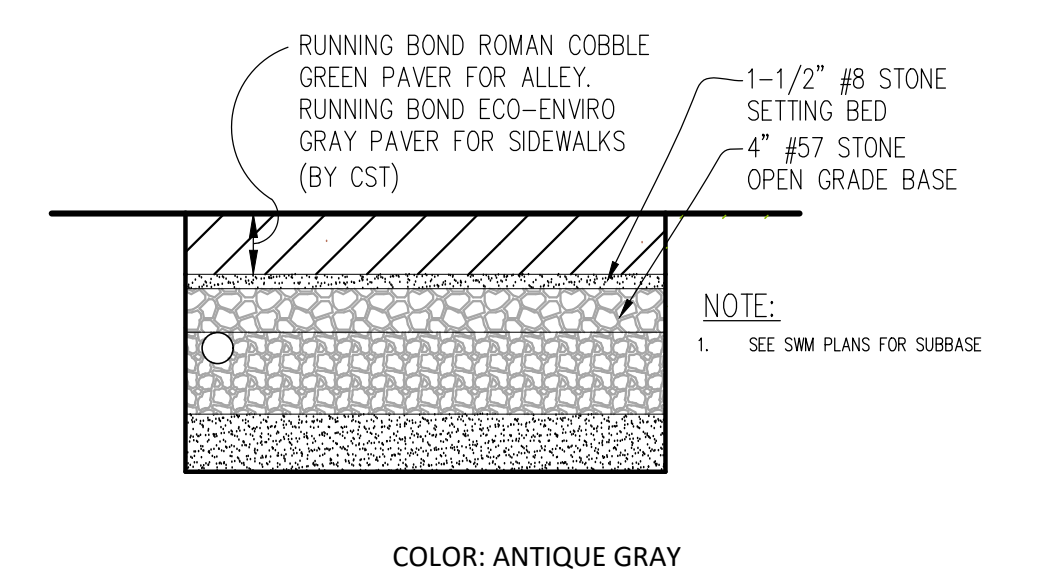


8 ASPHALT PAVING DETAIL
NOT TO SCALE

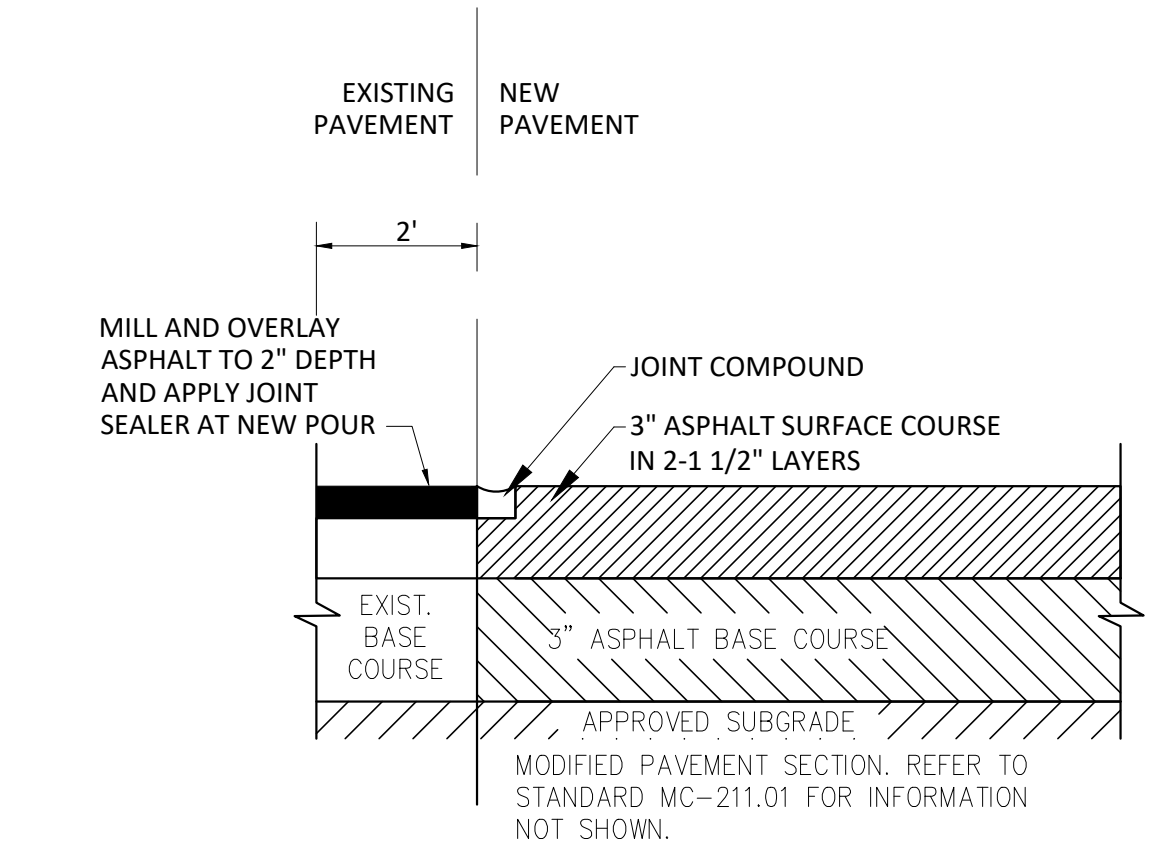
NOTE:
1. PAVEMENT CROSS SECTION TO BE APPROVED BY GEOTECHNICAL ENGINEER PRIOR TO CONSTRUCTION.



3 DETAIL SECTION - CROSSWALK PAVING
NOT TO SCALE



6 DETAIL SECTION - POROUS PAVES ALLEY & WALK
NOT TO SCALE



9 EXISTING AND PROPOSED ASPHALT JOINT
NOT TO SCALE

NOTE:
1. PAVEMENT JOINT MATERIAL SHALL BE PLACED WHEN ABUTTING EXISTING ASPHALT STRUCTURES.

PREPARED FOR:
USL2 MR
MONTGOMERY VILLAGE BUSINESS TRUST
c/o MONUMENT REALTY
1700 K STREET, NW, SUITE 600
WASHINGTON, DC 20006
202.777.2010
RUSSELL HINES

DESIGN CONSULTANTS

ARCHITECTS
TORTI GALLAS AND PARTNERS, INC.
1300 SPRING STREET, SUITE 400
SILVER SPRING, MD 20910
301.588.4800
ERIK J. AULESTIA

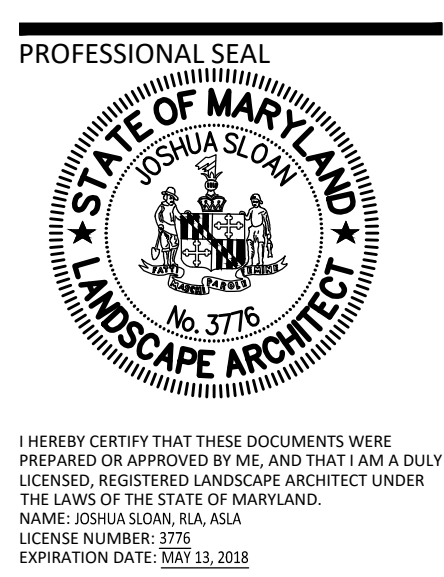
ATTORNEY
LERCH, EARLY & BREWER
CHTD.
3 BETHESDA METRO CENTER
SUITE 460
BETHESDA, MD 20814
301.841.3832
PATRICIA HARRIS

TRAFFIC ENGINEER
WELLS + ASSOCIATES
8730 GEORGIA AVENUE, SUITE 200
SILVER SPRING, MD 20910
301.448.1333
KEVIN BERGER

LANDSCAPE ARCHITECT
VIKA MARYLAND, LLC
20251 CENTURY BOULEVARD
SUITE 400
GERMANTOWN MD, 20874
301.916.4100
JOSH SLOAN

CIVIL ENGINEER
VIKA MARYLAND, LLC
20251 CENTURY BOULEVARD
SUITE 400
GERMANTOWN MD, 20874
301.916.4100
MIKE GOODMAN

REVISIONS	DATE



BLOOM MV AREA I-VI
9TH ELECTION DISTRICT
MONTGOMERY COUNTY, MARYLAND
WSSC GRID: 227NW09
TAX MAP: FU342
SP# 820170130

LANDSCAPE ELEMENTS DETAIL SHEET - A

DRAWN BY: DLK
DESIGNED BY: DLK-JS-SCM
DATE ISSUED: May 5, 2017
VIKA PROJECT VM1920
DRAWING NO.
SHEET NO. LA-28