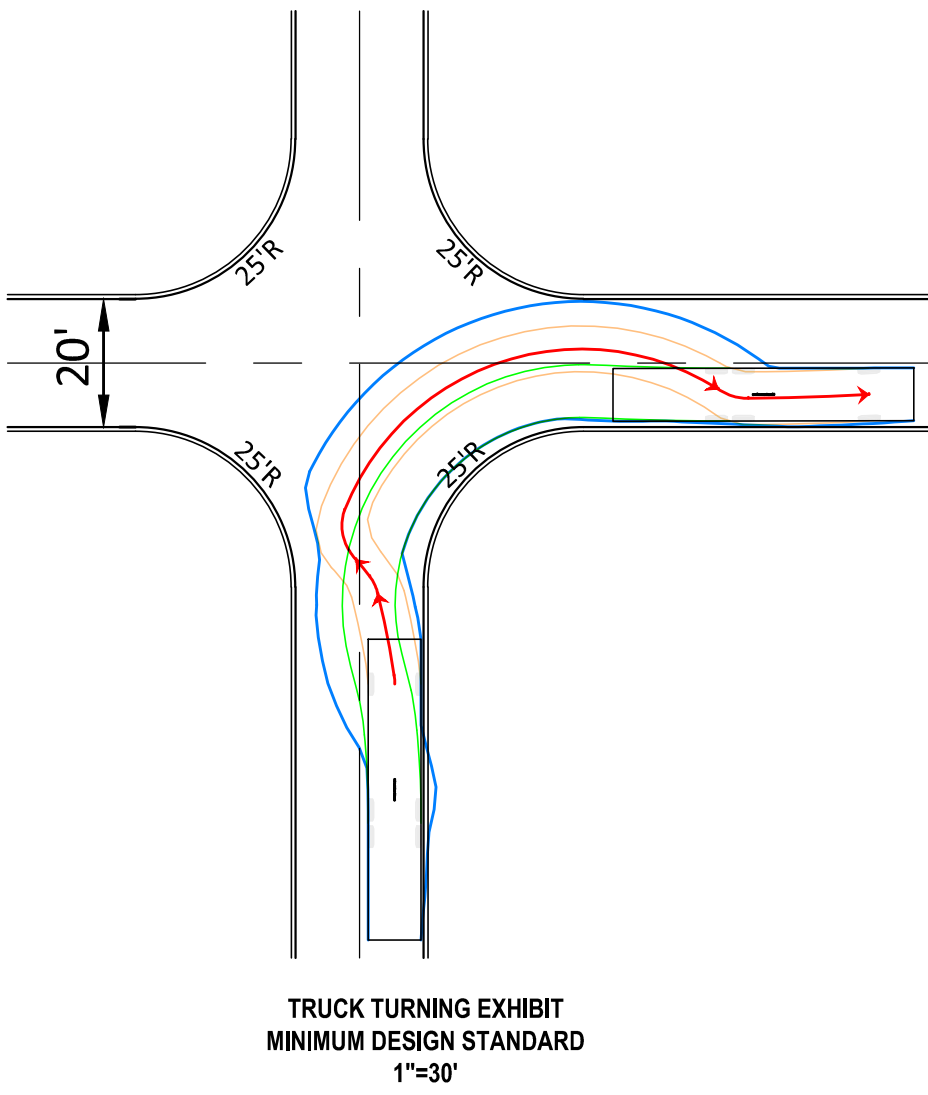
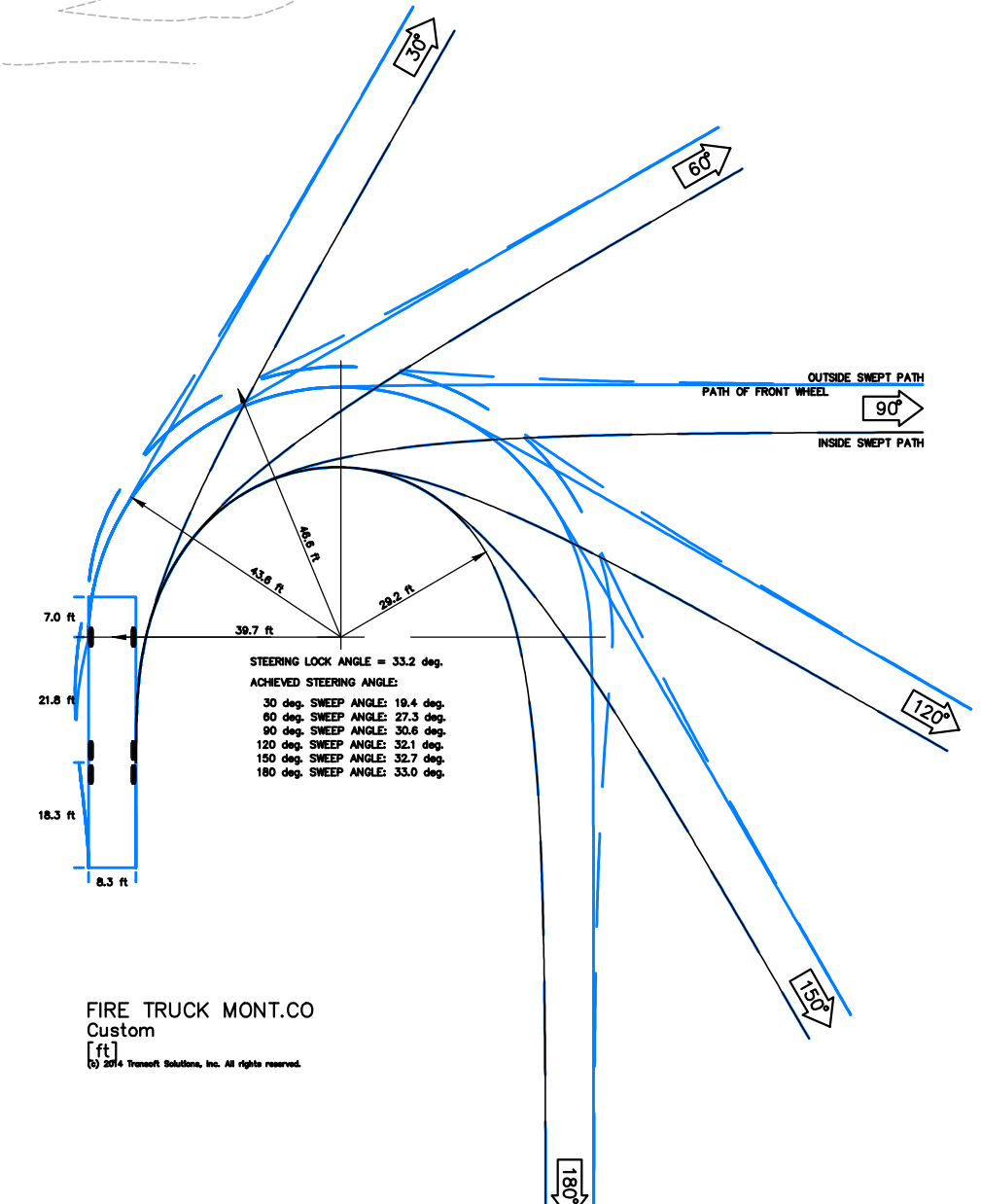
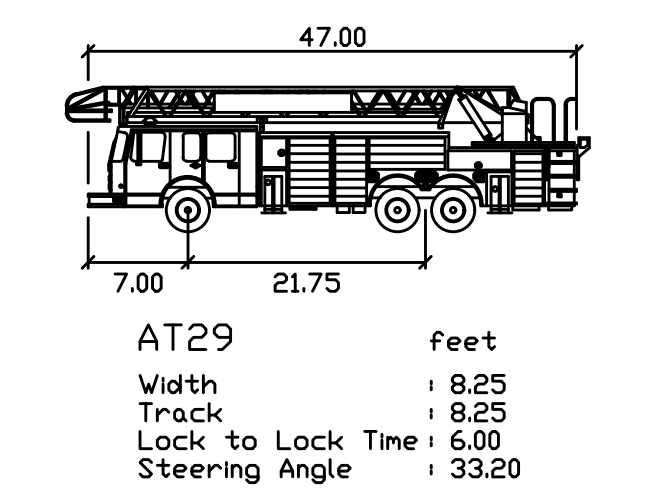


LEGEND

	PROP W	WATER LINE AND FITTING
		FIRE HYDRANT
		FIRE ACCESS PATH
		FIRE ACCESS FOOT PATH



ENGINEERS PLANNERS
LANDSCAPE ARCHITECTS SURVEYORS
VIKA MARYLAND, LLC
20251 CENTURY BOULEVARD SUITE 400
GERMANTOWN, MARYLAND 20874
PHONE: (301) 916-4100
FAX: (301) 916-2262
GERMANTOWN, MD. MCLEAN, VA.

PREPARED FOR:
USL2 MR
MONTGOMERY VILLAGE
BUSINESS TRUST
c/o MONUMENT REALTY
1700 K STREET, NW, SUITE 600
WASHINGTON, DC 20006
202.777.2010
RUSSELL HINES

DESIGN CONSULTANTS

ARCHITECTS
TORTI GALLAS AND
PARTNERS, INC
1300 SPRING STREET, SUITE 400
SILVER SPRING, MD 20910
301.588.4800
ERIK J. AULESTIA

ATTORNEY
LERCH, EARLY & BREWER
CHTD.
3 BETHESDA METRO CENTER
SUITE 460
BETHESDA, MD 20814
301.841.3832
PATRICIA HARRIS

TRAFFIC ENGINEER
WELLS + ASSOCIATES
8730 GEORGIA AVENUE, SUITE 200
SILVER SPRING, MD 20910
301.448.1333
KEVIN BERGER

LANDSCAPE ARCHITECT
VIKA MARYLAND, LLC
20251 CENTURY BOULEVARD
SUITE 400
GERMANTOWN MD, 20874
301.916.4100
JOSH SLOAN

CIVIL ENGINEER
VIKA MARYLAND, LLC
20251 CENTURY BOULEVARD
SUITE 400
GERMANTOWN MD, 20874
301.916.4100
MIKE GOODMAN

REVISIONS	DATE

PROFESSIONAL SEAL
STATE OF MARYLAND
MICHAEL RUSSELL HINES
REGISTERED PROFESSIONAL ENGINEER
LICENSE NUMBER: 20322
EXPIRATION DATE: 03/31/2018

HEREBY CERTIFY THAT THESE DOCUMENTS WERE
PREPARED OR APPROVED BY ME, AND THAT I AM A
DULY LICENSED REGISTERED ENGINEER UNDER THE
LAWS OF THE STATE OF MARYLAND.
NAME: MICHAEL RUSSELL HINES
LICENSE NUMBER: 20322
EXPIRATION DATE: 03/31/2018

BLOOM MV
AREA I-VI
9TH ELECTION DISTRICT
MONTGOMERY COUNTY,
MARYLAND
WSSC GRID: 227NW09
TAX MAP: FU342
SP# 820170130

AREA IV
FIRE ACCESS
PLAN

DEVELOPER'S CERTIFICATE
The undersigned agrees to execute all the features of the Site Plan Approval
No. 820170130, including Approval Conditions, Development Program,
and Certified Site Plan.

Developer's Name: USL2 MR Montgomery Village Business Trust
Contact Person: Russell Hines
Address: 1700 K Street, NW, Suite 600, Washington, DC 20006
Phone: 202.777.2010
Signature: _____ Date: _____

DRAWN BY: _____
DESIGNED BY: DLK - JS - SCM
DATE ISSUED: May 5, 2017
VIKA PROJECT VM1920
DRAWING NO. _____
SHEET NO. FAP-4

NOTE: SCHEMATIC DESIGN FOR ENTITLEMENT ONLY.
NOT FOR CONSTRUCTION OR BIDDING PURPOSES.