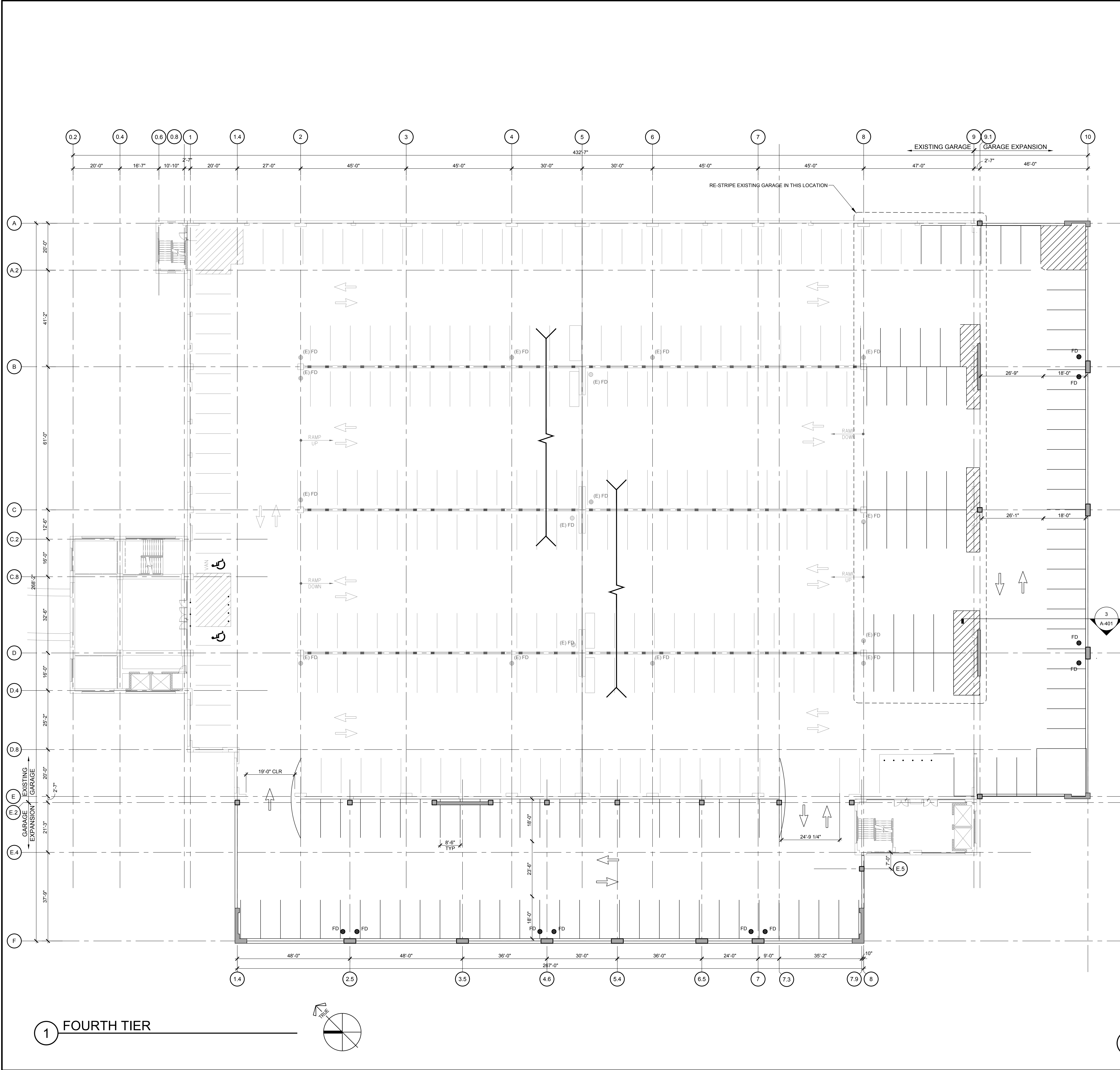
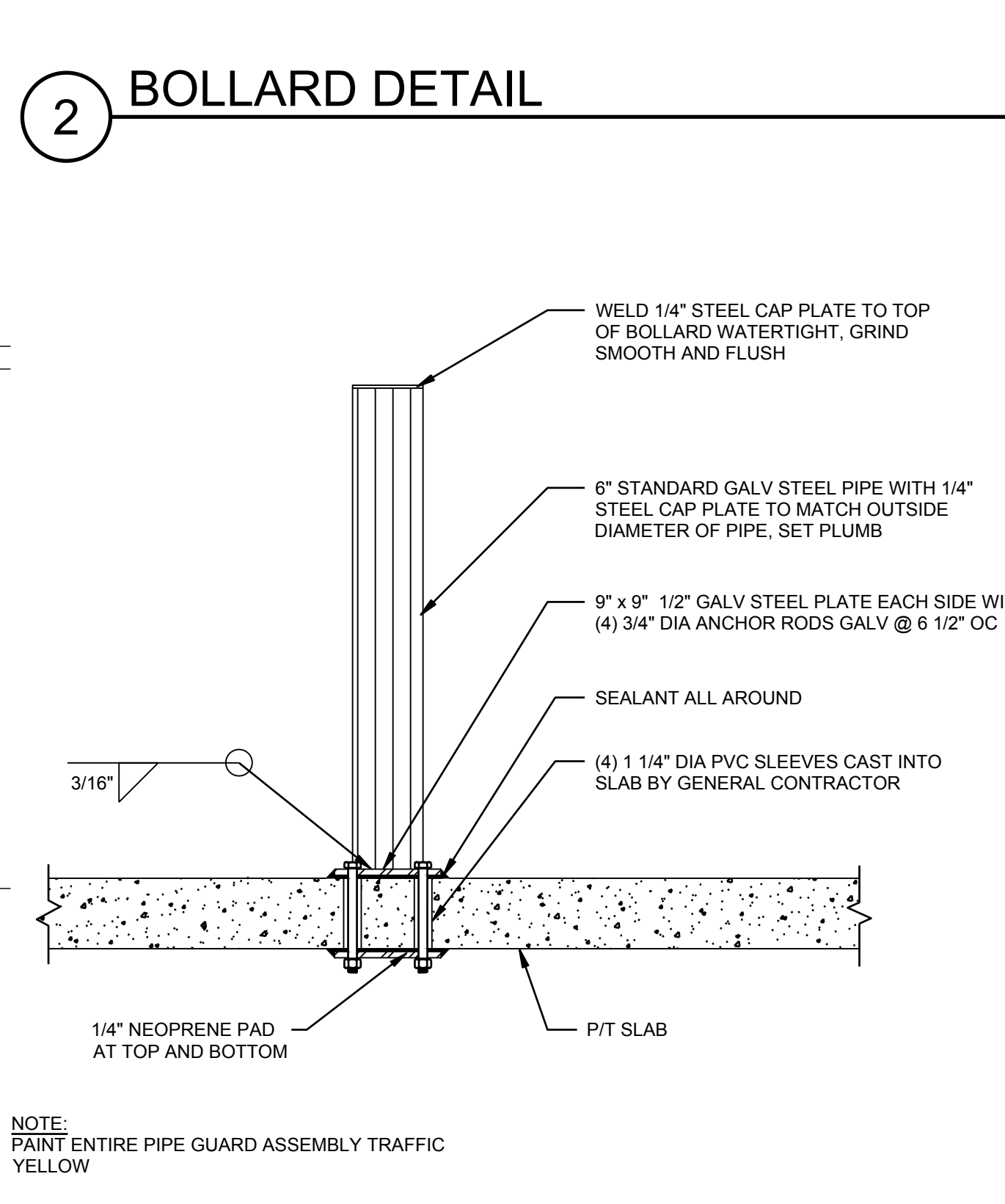
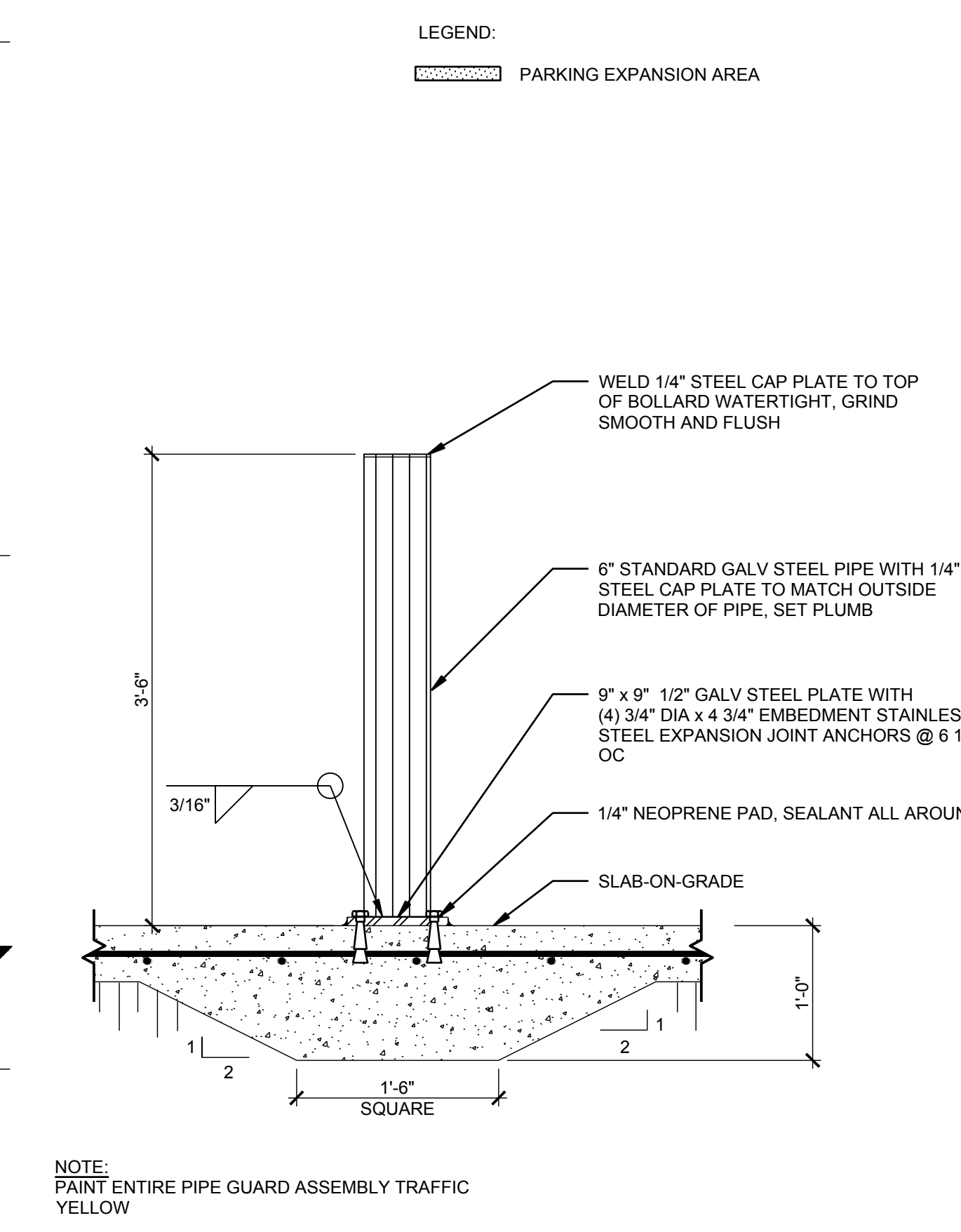
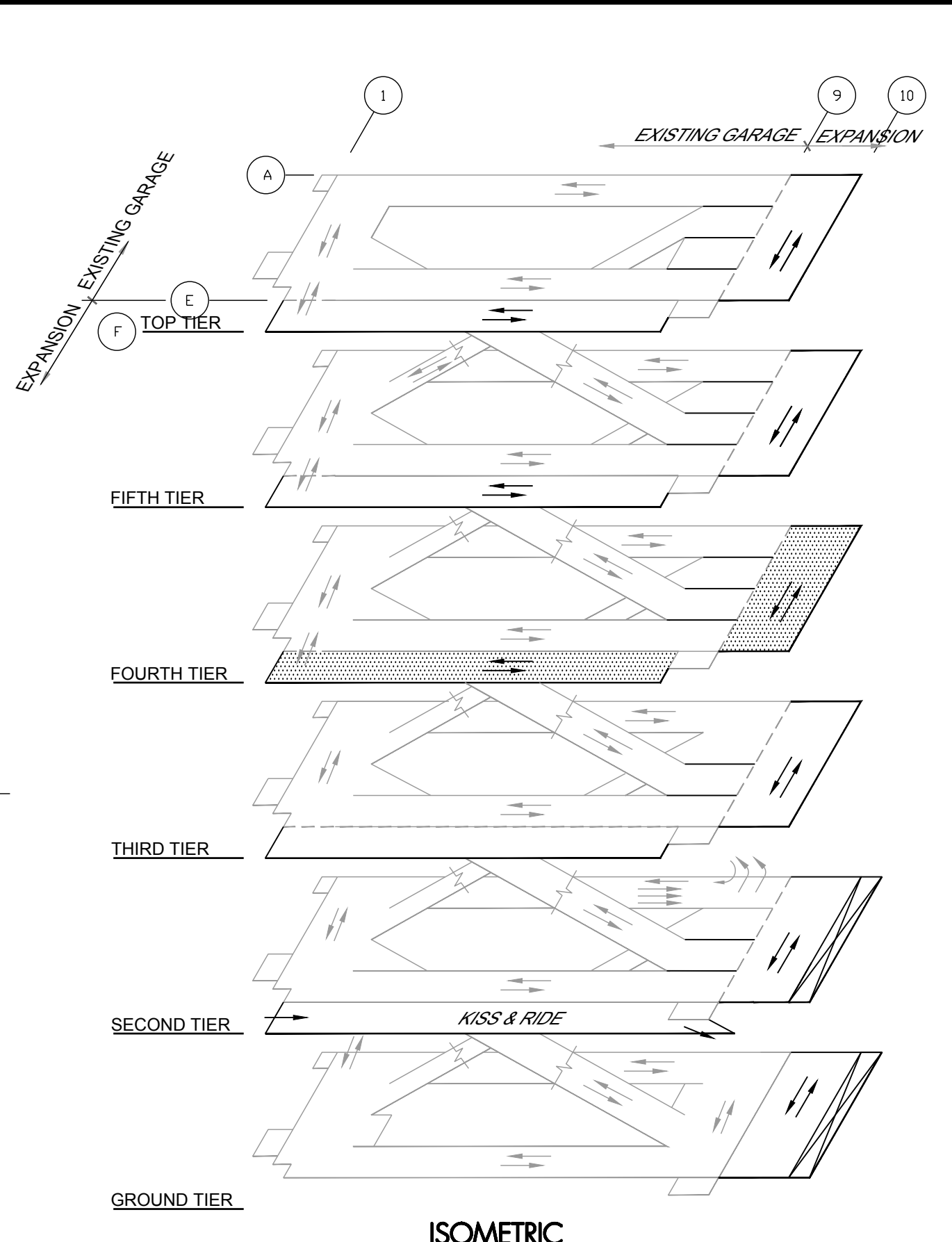


J:\14-4099-00-GROSVENOR\_STRATHMORE\ACAD\05-ARCH\4099A-104.DWG 2/2/2018 10:03:52 AM MALETSKY, LUKE



**1** FOURTH TIER



MARK	DATE	DESCRIPTION	ISSUE

PROJECT NO:	14-4099.00
DRAWN BY:	LRM
CHECKED BY:	TD
SHEET TITLE:	FOURTH TIER PLAN