

#	DATE	INIT	DESCRIPTION
1	04.19.2018	GAC/JCM	ADD PEDESTRIAN LIGHTING PER PM REQ
2	05.01.2018	GAC/JCM	ADD CONTOUR LINES PER PM REQUEST

LED PHOTOMETRIC PLAN

RC80119

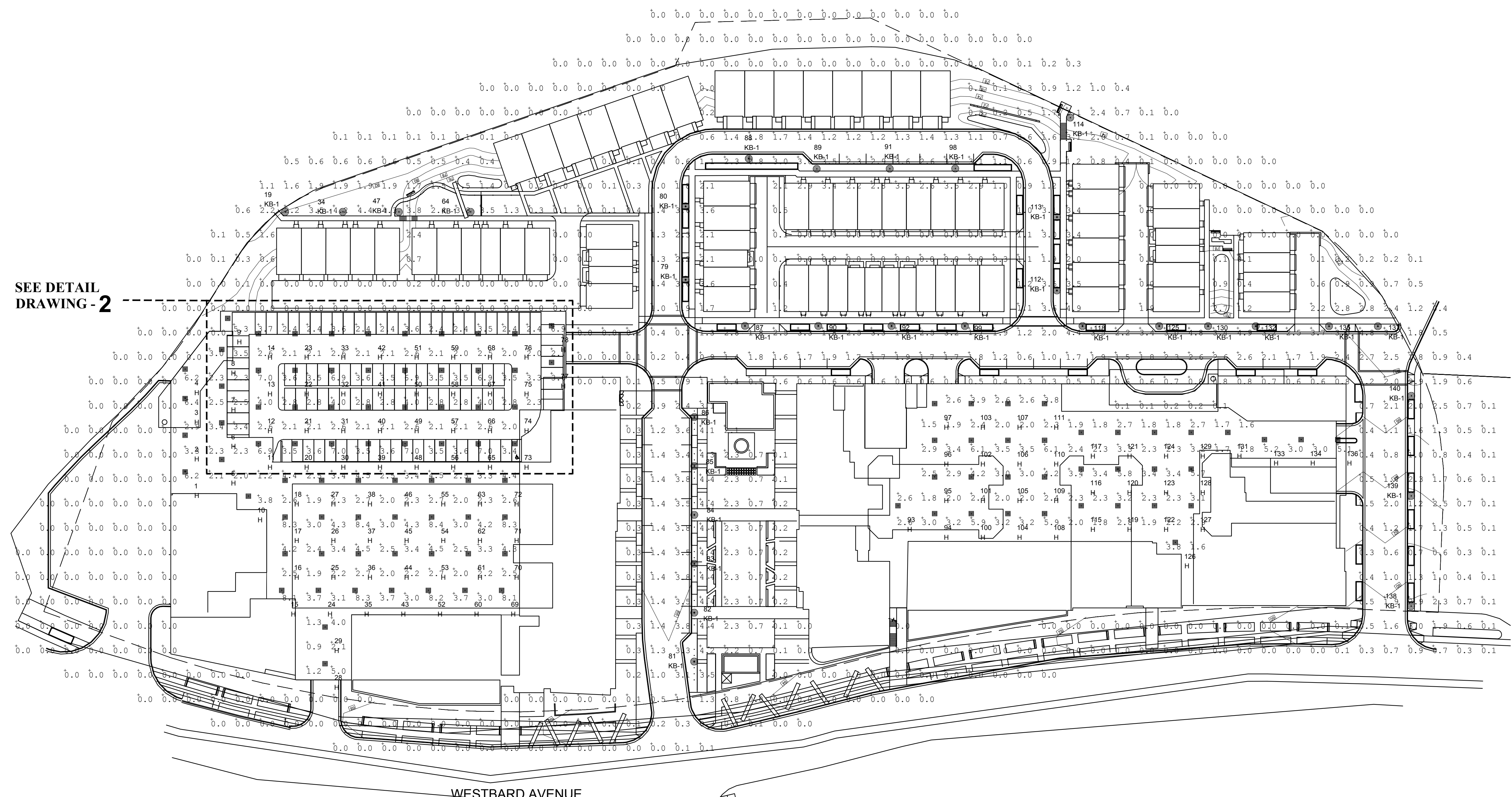
04.11.2018

3

G. CREWS

J.MACKEY

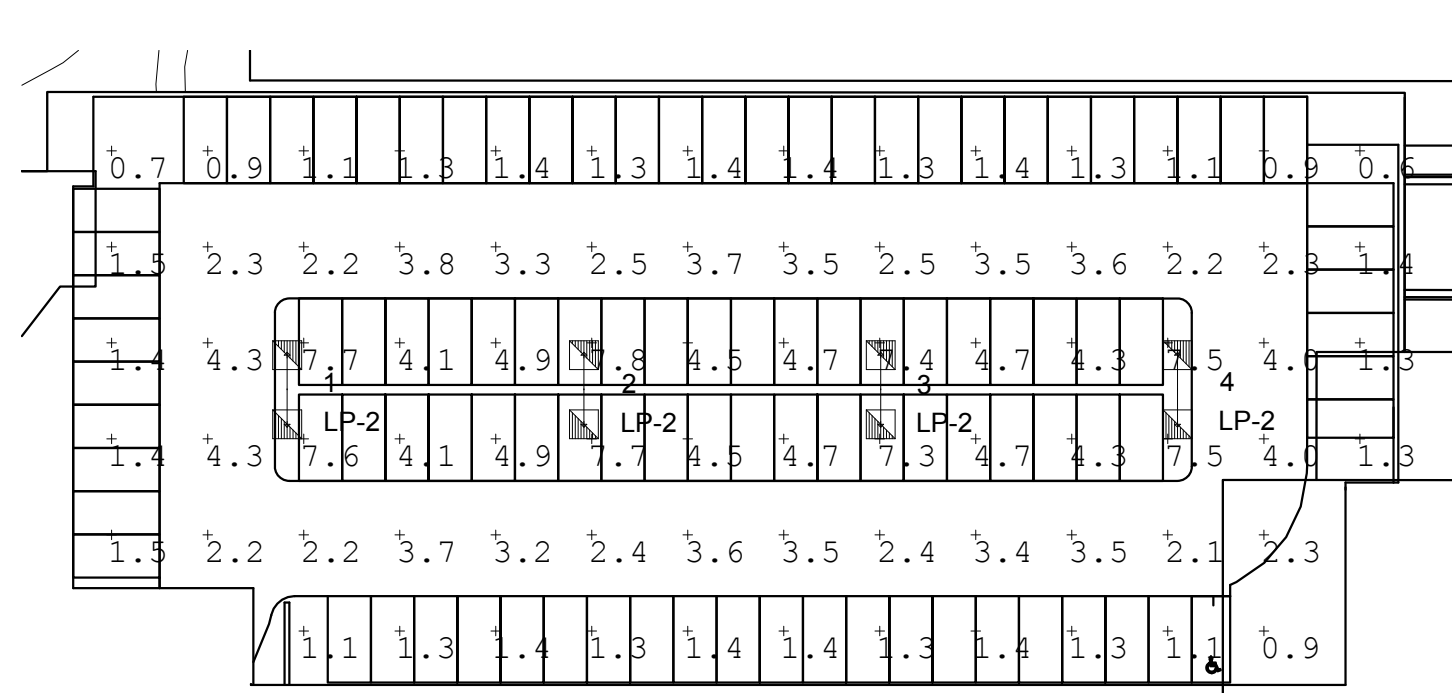
REV # **2**



SEE DETAIL DRAWING - 2

1 LED PHOTOMETRIC PLAN
SCALE: 1" = 50'

Symbol	Qty	Label	Arranged	TLL	LLF	Description	BUG Rating
[Symbol]	108	H	SINGLE	N.A.	0.90	New Fixt 33W LED T5S VS 8'-0 Mtg Ht (4000K/1 LED's/3910 Lumens/A IPD/XXXmA) Cree WaveMax IG-NM-5S-A-40K-UL-WH	B2-U3-G2
[Symbol]	32	KB-1	SINGLE	N.A.	0.90	New Base, Pole & Deco Fixt 136W LED T5W 16'-0 Mtg Ht Post Top (4000K/84 LED's/11974 Lumens/530mA) Visionaire New Orleans II-LT N2F-L-LTL1TA-T5W-84LC-5-4K	B4-U3-G2

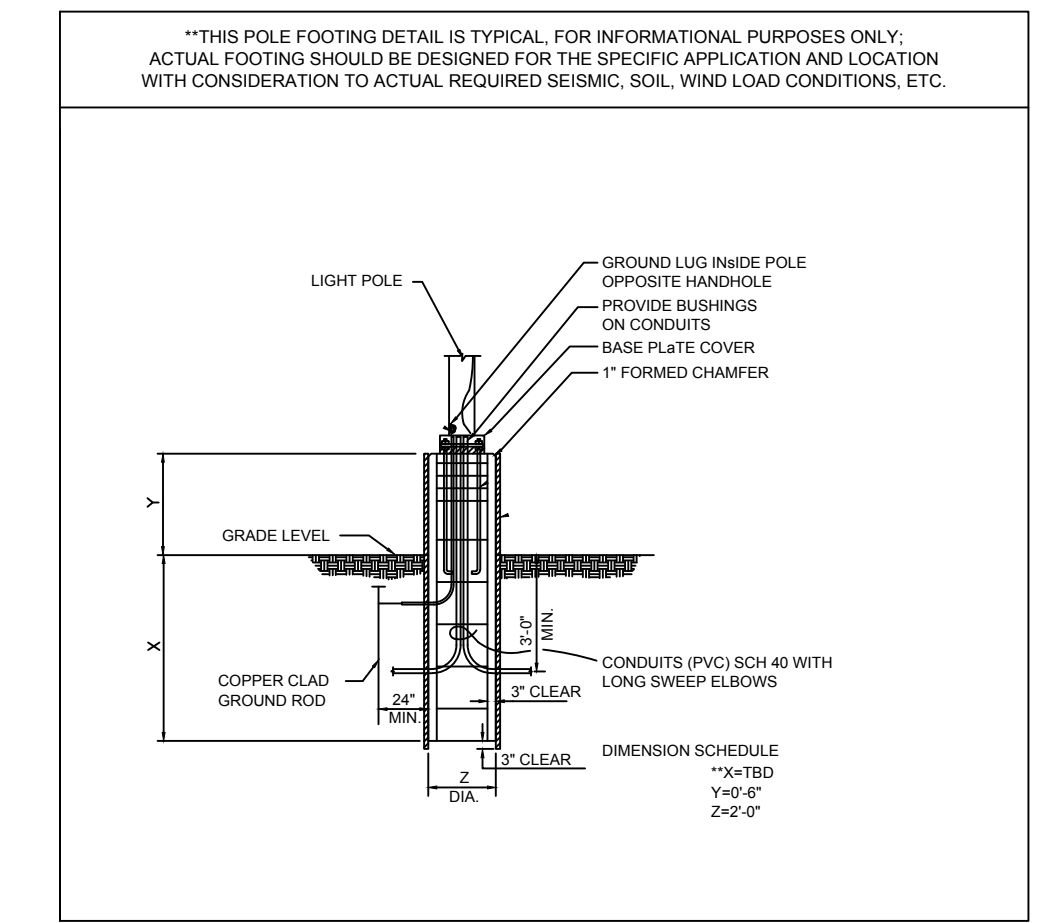


2 LED PHOTOMETRIC PLAN
SCALE: 1" = 40'

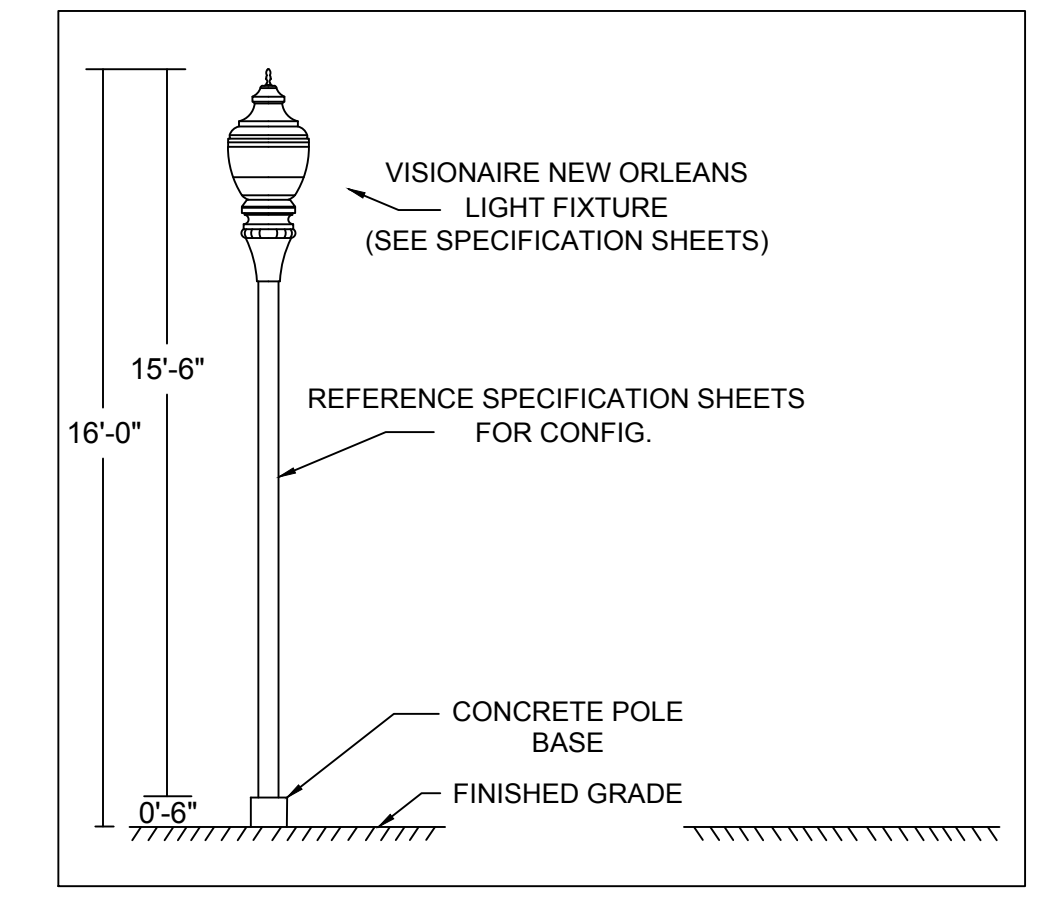
Symbol	Qty	Label	Arranged	TLL	LLF	Description	BUG Rating
[Symbol]	4	LP-2	BACK-BACK	N.A.	0.90	New Pole & Fixt 130W LED T5ME VS 16'-0 Mtg Ht (4000K/XX LED's/15999 Lumens/K IPD/XXXmA) Cree OSQ Medium OSQ-A-xx-5ME-K-40K-ULxxxxx	B4-U0-G4

Label	Avg	Max	Min	Avg/Min	Max/Min	# Pts
Property + 40 Ft	0.79	4.9	0.0	N.A.	N.A.	825
Ramp - 1st Level - Right	2.94	6.1	1.5	1.96	4.07	77
Ramp - 1st Level - Left	3.46	8.4	0.9	3.84	9.33	159
Back Of Building - Left	0.00	0.0	0.0	N.A.	N.A.	37
Drive Entry & Exit - Bottom Left	0.00	0.0	0.0	N.A.	N.A.	1
Main Drive	1.78	4.4	0.0	N.A.	N.A.	121
Residential Drive - Center	0.49	2.5	0.0	N.A.	N.A.	17
Residential Drive - Right	1.65	3.7	0.1	16.50	37.00	4
Residential Drive - Right Center	0.76	3.4	0.0	N.A.	N.A.	7
Residential Drive - Upper Left	0.14	1.3	0.0	N.A.	N.A.	28

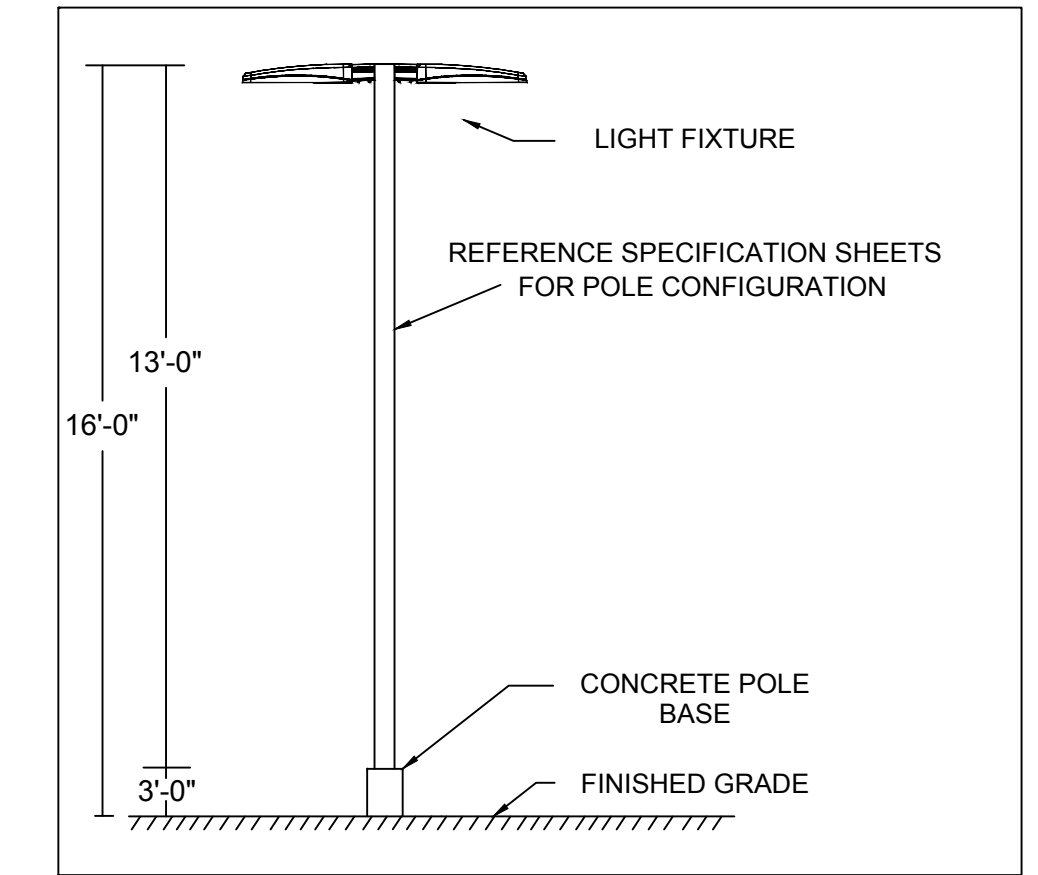
Label	Avg	Max	Min	Avg/Min	Max/Min	# Pts
Ramp - Top Deck	3.02	7.8	0.6	5.03	13.00	80



3 POLE DETAIL PARKING LOT (TYP)
SCALE: NTS



4 LIGHT POLE BASE DETAIL (TYP)
SCALE: NTS



5 LIGHT POLE BASE DETAIL (TYP)
SCALE: NTS

BASED ON THE INFORMATION PROVIDED, ALL DIMENSIONS AND LUMINAIRE LOCATIONS SHOWN REPRESENT RECOMMENDED POSITIONS. THE ENGINEER AND/OR ARCHITECT MUST DETERMINE APPLICABILITY OF THE LAYOUT TO EXISTING OR FUTURE FIELD CONDITIONS.

THE LIGHTING PATTERN REPRESENTS ILLUMINATION LEVELS CALCULATED FROM LABORATORY DATA TAKEN UNDER THE CONTROLLED CONDITIONS UTILIZING CURRENT INDUSTRY STANDARD LAMP RATINGS IN ACCORDANCE WITH ILLUMINATING ENGINEERING SOCIETY APPROVED METHODS. ACTUAL PERFORMANCE OF ANY MANUFACTURER'S LUMINAIRE MAY VARY DUE TO VARIATION IN ELECTRICAL VOLTAGE, TOLERANCE IN LAMPS, AND OTHER VARIABLE FIELD CONDITIONS.

FOR ADDITIONAL LIGHTING INFORMATION CONTACT:
On-Site Lighting & Survey, LLC
PH: 763.684.1548