

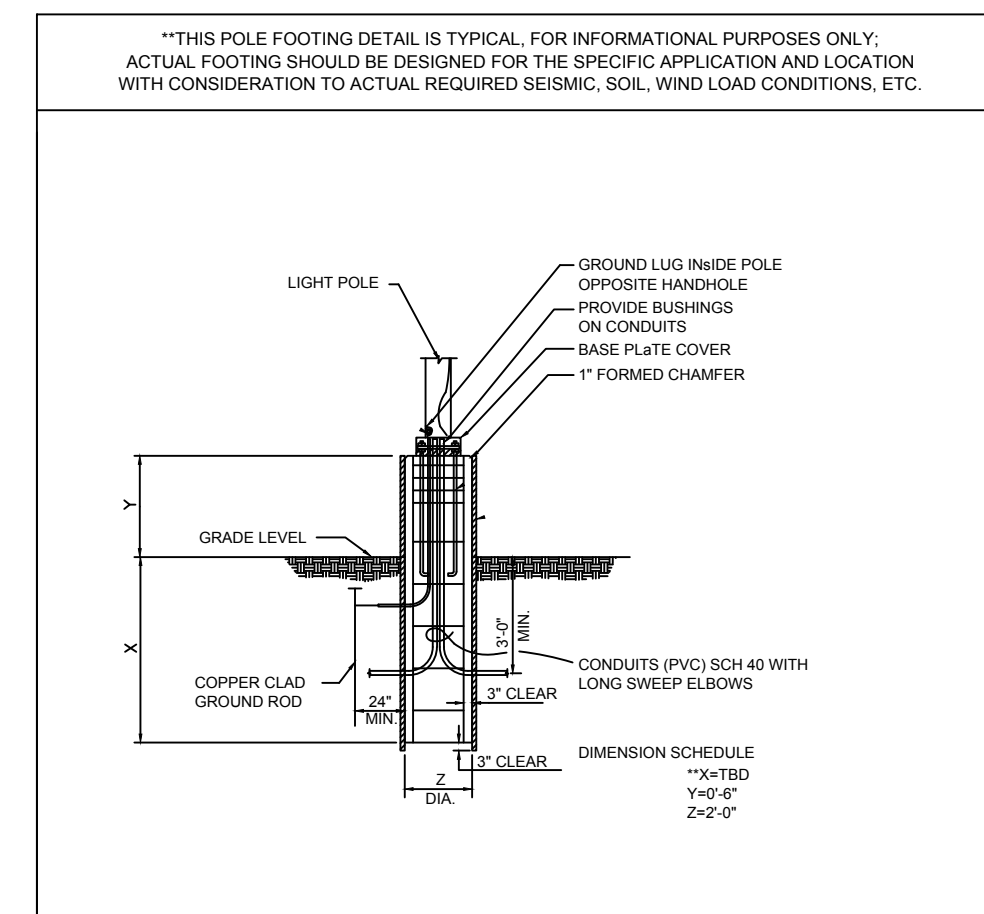
1 LED PHOTOMETRIC PLAN
SCALE: 1"= 50'

Symbol	Qty	Label	Arranged	TLL	LLF	Description	BUG Rating
	116	H	SINGLE	N.A.	0.90	New Fixt 33W LED T5S VS 8'-0 Mtg Ht (4000K/1 LED's/3910 Lumens/A IPD/XXmA) Cree WaveMax IG-NM-5S-A-40K-UL-WH	B2-U3-G2
	33	KB-1	SINGLE	N.A.	0.90	New Base, Pole & Deco Fixt 136W LED T5W 16'-0 Mtg Ht Post Top (4000K/84 LED's/11974 Lumens/530mA) Visionaire New Orleans II-LT N2F-L-LT11A-T5W-84LC-5-4K	B4-U3-G2

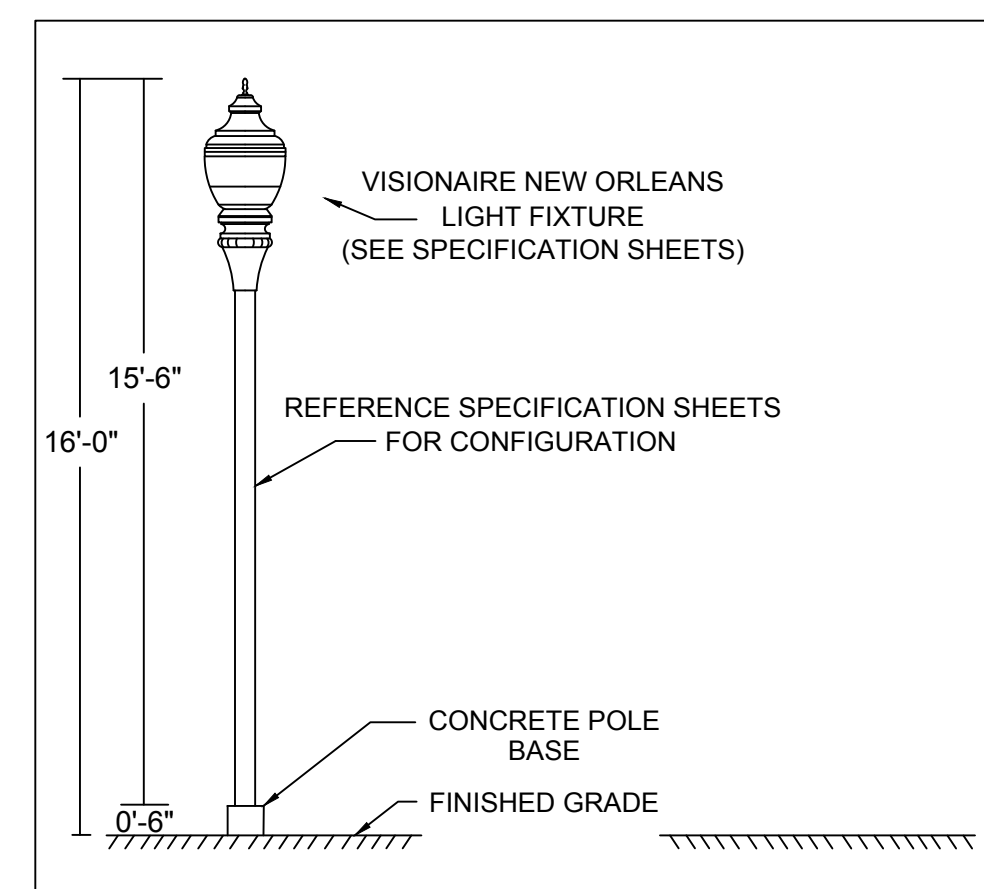


2 LED PHOTOMETRIC PLAN
SCALE: 1"= 40'

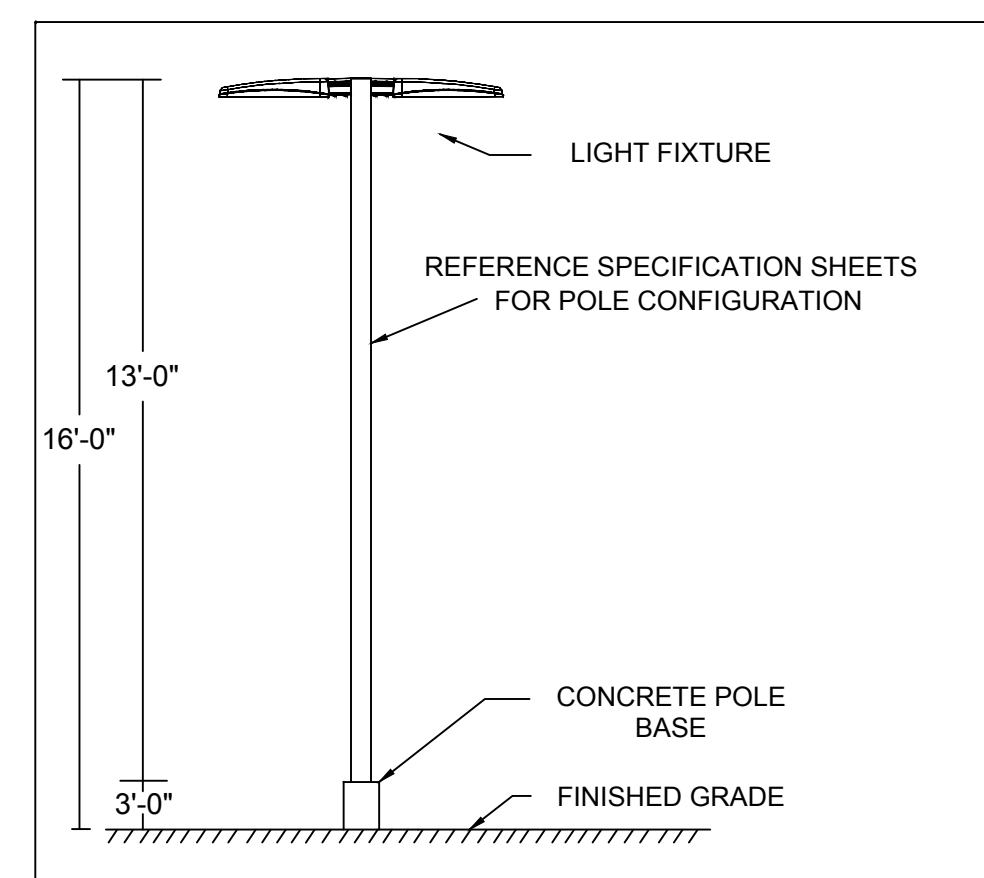
Symbol	Qty	Label	Arranged	TLL	LLF	Description	BUG Rating
	4	LP-2	BACK-BACK	N.A.	0.90	New Pole & Fixt 130W LED T5ME VS 16'-0 Mtg Ht (4000K/XX LED's/15999 Lumens/K IPD/XXmA) Cree OSQ Medium OSQ-A-xx-5ME-K-40K-ULxxxx	B4-U0-G4



3 POLE DETAIL PARKING LOT (TYP)
SCALE: NTS



4 LIGHT POLE BASE DETAIL (TYP)
SCALE: NTS



5 LIGHT POLE BASE DETAIL (TYP)
SCALE: NTS

Label	Avg	Max	Min	Avg/Min	Max/Min	# Pts
Property + 40 Ft	0.85	5.3	0.0	N.A.	N.A.	814
Ramp - 1st Level - Right	3.50	8.7	0.0	N.A.	N.A.	163
Ramp - 1st Level - Left	3.29	6.9	0.1	32.90	69.00	87
Back Of Building - Right	0.00	0.0	0.0	N.A.	N.A.	32
Drive Entry & Exit - Upper Right	0.00	0.0	0.0	N.A.	N.A.	1
Main Drive	1.85	4.0	0.0	N.A.	N.A.	113
Residential Drive - Left	1.08	3.2	0.0	N.A.	N.A.	6
Residential Drive - Left Center	3.23	5.3	1.2	2.69	4.42	9
Residential Drive - Lower Right	0.17	1.3	0.0	N.A.	N.A.	28

Label	Avg	Max	Min	Avg/Min	Max/Min	# Pts
Ramp - Top Deck	3.02	7.8	0.7	4.31	11.14	80

BASED ON THE INFORMATION PROVIDED, ALL DIMENSIONS AND LUMINAIRE LOCATIONS SHOWN REPRESENT RECOMMENDED POSITIONS. THE ENGINEER AND/OR ARCHITECT MUST DETERMINE APPLICABILITY OF THE LAYOUT TO EXISTING OR FUTURE FIELD CONDITIONS.

THE LIGHTING PATTERN REPRESENTS ILLUMINATION LEVELS CALCULATED FROM LABORATORY DATA TAKEN UNDER THE CONTROLLED CONDITIONS UTILIZING CURRENT INDUSTRY STANDARD LAMP RATINGS IN ACCORDANCE WITH ILLUMINATING ENGINEERING SOCIETY APPROVED METHODS. ACTUAL PERFORMANCE OF ANY MANUFACTURER'S LUMINAIRE MAY VARY DUE TO VARIATION IN ELECTRICAL VOLTAGE, TOLERANCE IN LAMPS, AND OTHER VARIABLE FIELD CONDITIONS.

FOR ADDITIONAL LIGHTING INFORMATION CONTACT:
On-Site Lighting & Survey, LLC
PH: 763.684.1548

PROJECT INFO
WESTBARD AVENUE

ENGINEER INFO

ENGINEER SEAL

#	DATE	INIT	DESCRIPTION
1	04.19.2018	GAC/JCM	ADD PEDESTRIAN LIGHTING PER PM REQ
2	05.01.2018	GAC/JCM	ADD CONTOUR LINES PER PM REQUEST
3	10.03.2018	GAC/CDH	UPDATE SITE PLAN

SHEET DESCRIPTION
LED PHOTOMETRIC PLAN

PROJECT #
RC80119

ISSUE DATE
04.11.2018

DESIGN LEVEL
3

AGI
G. CREWS

CAD
J.MACKEY

SHEET: **SL3.0** REV: **3**